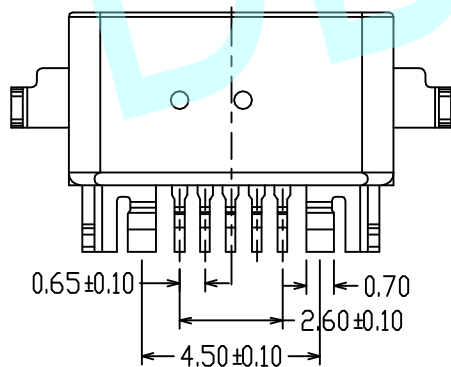
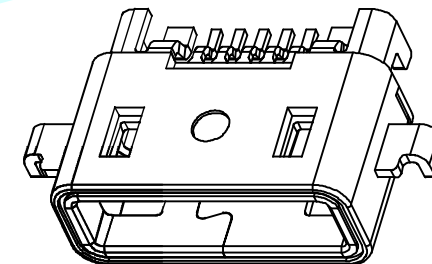
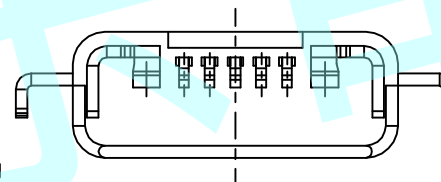
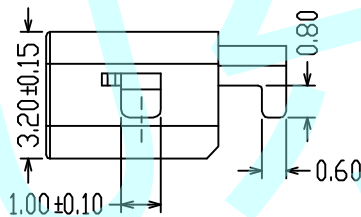
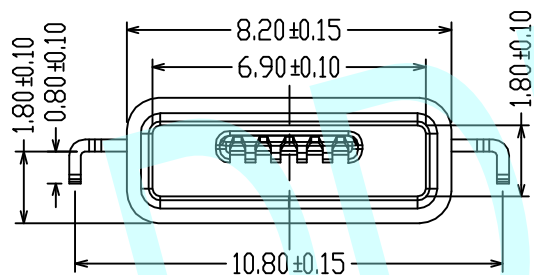
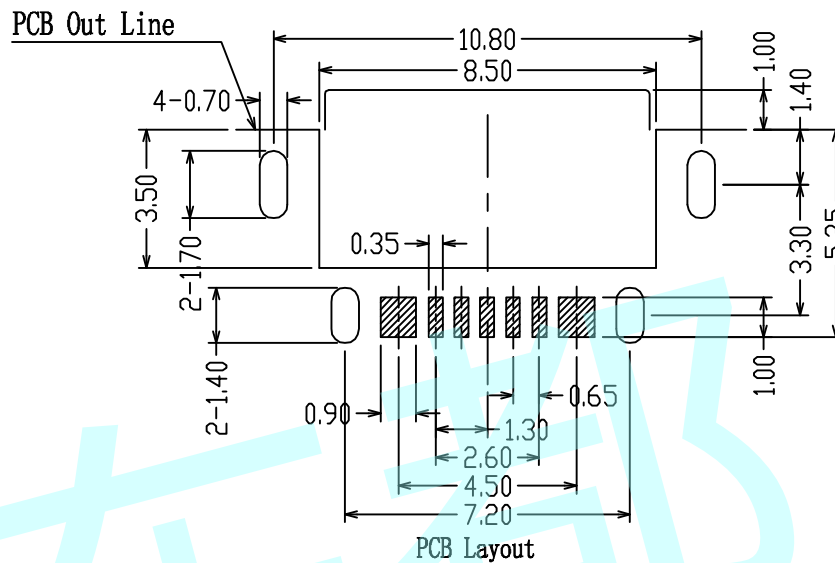
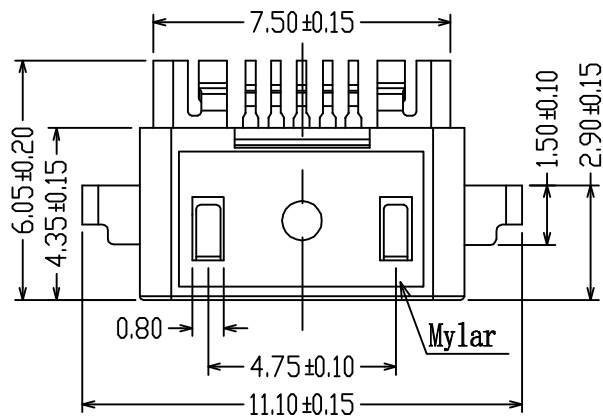


ROHS



NOTES:

1. Rating :AC/DC 30V 1A
2. Dielectric Withstanding:250V AC For 1 min
3. Contat Resistance:30mΩ Max
4. Lnsulation Resistance:500MΩ Min
5. Operating Temperatuye Range:-25℃~+60℃
6. Operating Life:5000 Cycles
7. IP Rating: IPX5/IP64

APPROVALS		DATE	http://www.dongdudz.com	
DRAW:	ZRD	2017-12-6	TOLERANCE:	ANGLE:
CHECKED:	***	***	30≥	±0.30
APPOVALS:	***	***	10°30	±0.20
			5°10	±0.15
			≤5	±0.10



MODEL:	USB CONNECTOR	
PART NO:	USB-AB-IPX5	
UNIT :mm	SCALE:1:1	☞
REV:	A	PAGE:1/1