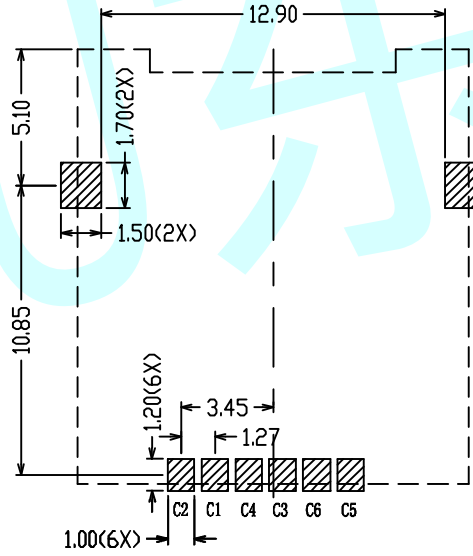
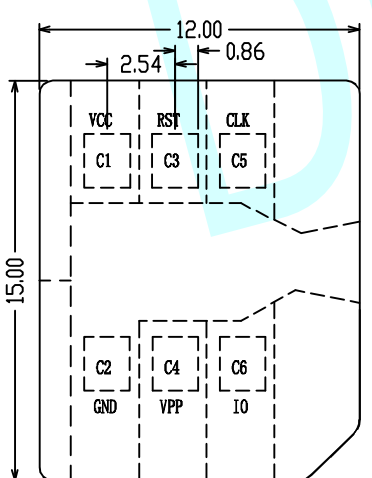
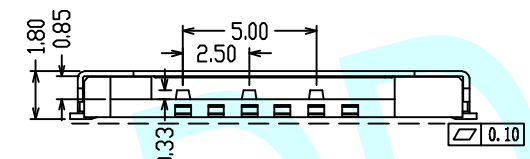
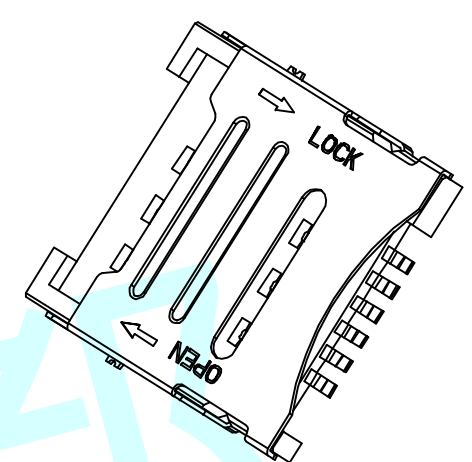
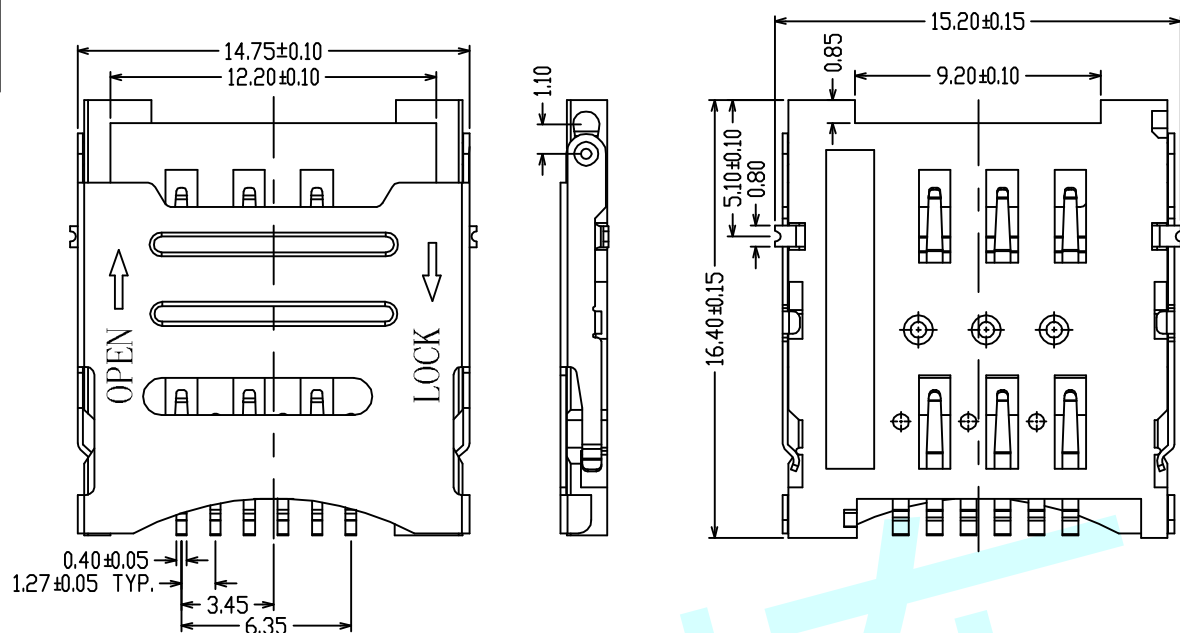



ROHS



- NOTES:**
1. Rating: DC 4V 0.5A
 2. Mechanical Life: 5,000 Cycles

APPROVALS		DATE	http://www.dongdudz.com	
DRAW:	ZRD	2017-12-6	TOLERANCE:	ANGLE:
CHECKED:	***	****	30°	±0.30
APPOVALS:	***	****	10°30'	±0.20
			5°10'	±0.15
			≤5	±0.10

 东都电子 DONGDU ELECTRONICS	
MODL:	CASSETTE
PART NO:	SIM-01
UNIT :mm	SCALE: 1:1
REV:	A



PAGE: 1/1