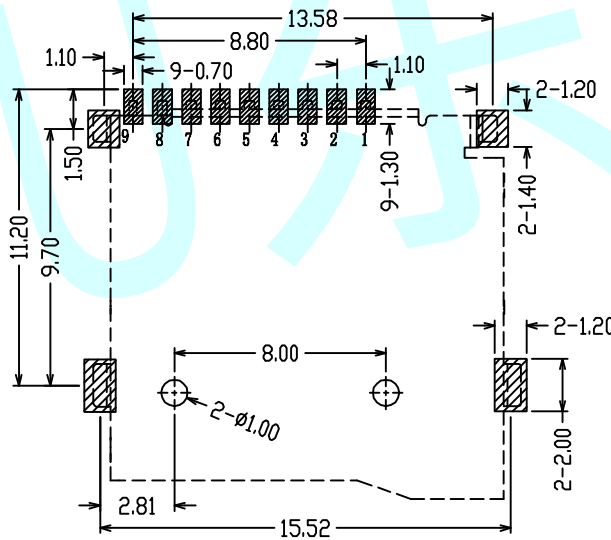
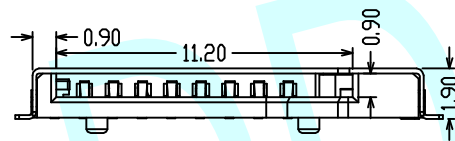
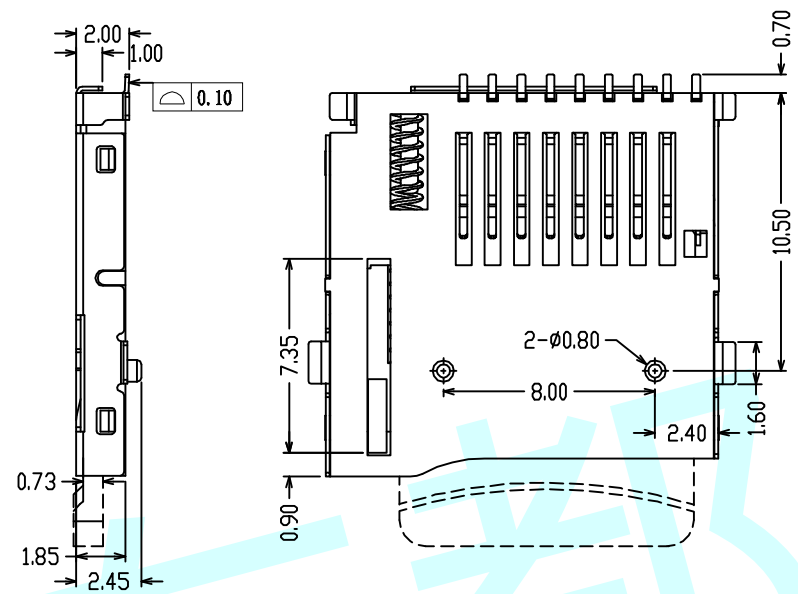
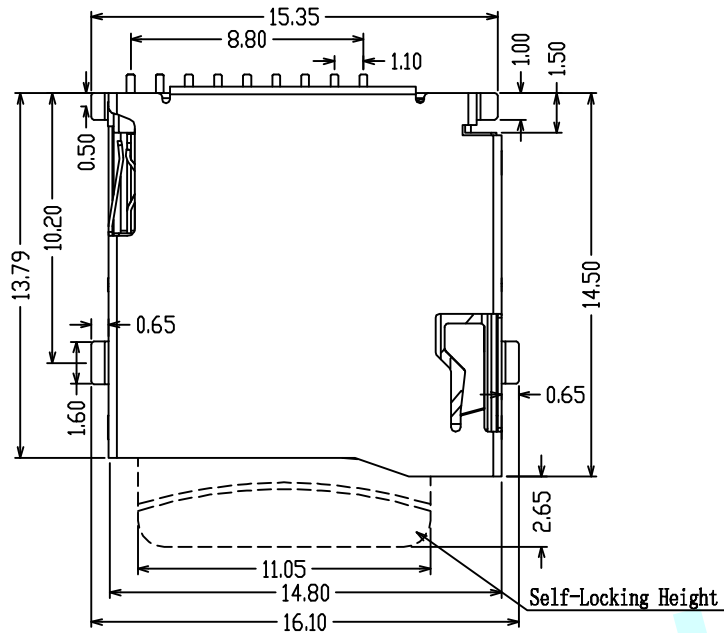


# ROHS



**NOTE:**

**A. Specification:**

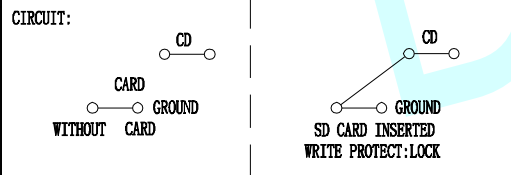
1. Rating: DC 30V 1A
2. Operating Force: 350±100gf
3. Mechanical Life: 5,000 Cycles

**B. Material:**

1. Housing: High temperature thermoplastic UL94V-0, Color: Black
2. Contact: COPPER ALLOY
3. Cover: COPPER ALLOY

**C. Plating:**

1. Underplate: Nickel
2. Contact area: Gold over Nickel
3. Solder area: Tin plating over Nickel (LEAD FREE)
4. Coplanarity must be with 0.10mm



PIN No.	NAME	YTYPE	DESCRIPTION
1	DAT2	I/O/PP	DATE LINE (BIT2)
2	CD/DAT3	I/O/PP	CARD DETECT DATE LIN (BIT3)
3	CMD	PP	COMMAND RESPONSE
4	VDD	S	SUPPLY VOLTAGE
5	CLK	I	CLOCK
6	VSS	S	SUPPLY VOLTAGE GROUND
7	DAT0	I/O/PP	DATE LINE (BIT0)
8	DAT1	I/O/PP	DATE LINE (BIT1)
9	CD	CD	CD

PCB Layout (Pattern Side)  
Tolerance: ±0.05

APPROVALS		DATE	http://www.dongdudz.com	
DRAW:	ZRD	2017-12-6	TOLERANCE:	ANGLE:
CHECKED:	***	****	30≥	±0.30
APPOVALS:	***	****	10°30	±0.20
			5°10	±0.15
			≤5	±0.10

**东都电子**  
DONGDU ELECTRONICS

MODL:	CASSETTE
PART NO:	TF-0002
UNIT :mm	SCALE:1:1
REV:	A

PAGE: 1/1