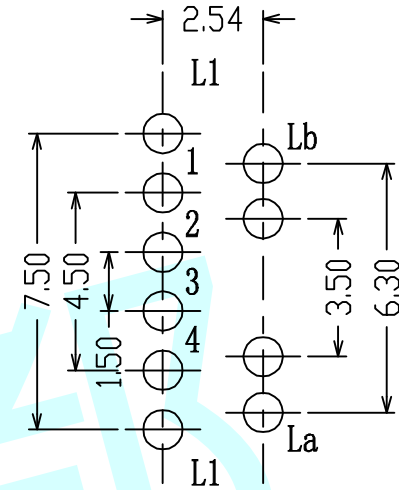
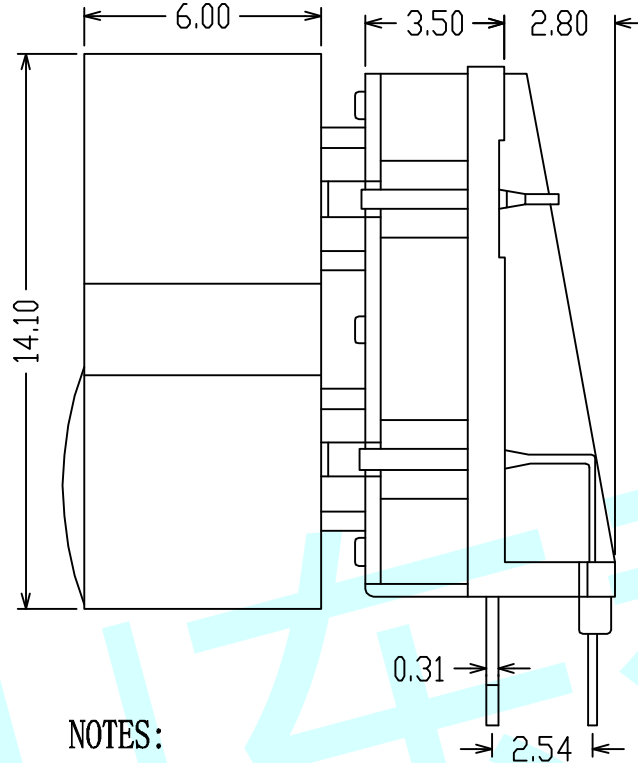
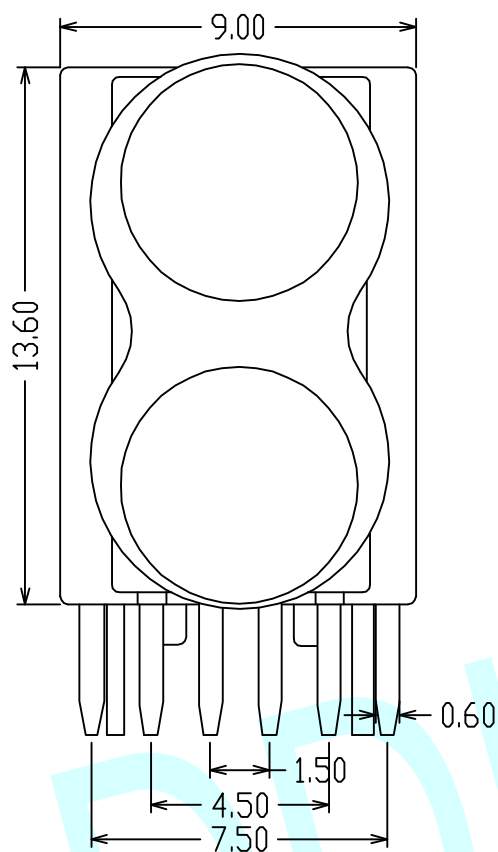
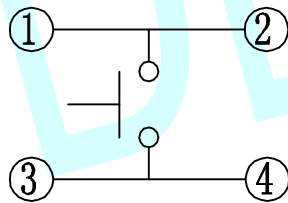


ROHS



NOTES:



1. Rating:12V DC 50mA
2. Contact Resistance:100mΩ Max
3. Insulation resistance:100MΩ Min
4. Dielectric Strength:250V AC(50/60HZ)FOR 1Min
5. Life test:100,000 Cycles
6. Operating temperature range:-20℃~+70℃
7. Travel:0.25±0.1mm



L1 (+) (-) L2

LA (+) (-) LB

Circuit Diagram

		LED Colour (LED颜色)	Whiler (白色)	Red (红色)	Blue (蓝色)	Green (绿色)
APPROVALS		DATE		http://www.dongdudz.com		
DRAW:	ZRD	2017-12-6		TOLERANCE:	ANGLE:	
CHECKED:	***	****		30≥	±0.30	±2°
APPOVALS:	***	****		10~30	±0.20	
				5~10	±0.15	
				≤5	±0.10	
						 ® 东都电子 DONGDU ELECTRONICS
						MODBL: LED Tact Switch PART NO: DDU-1502 UNIT :mm SCALE:1:1  REV: A PAGE:1/1