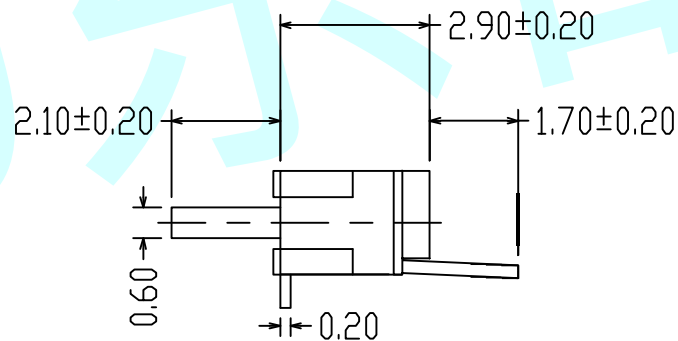
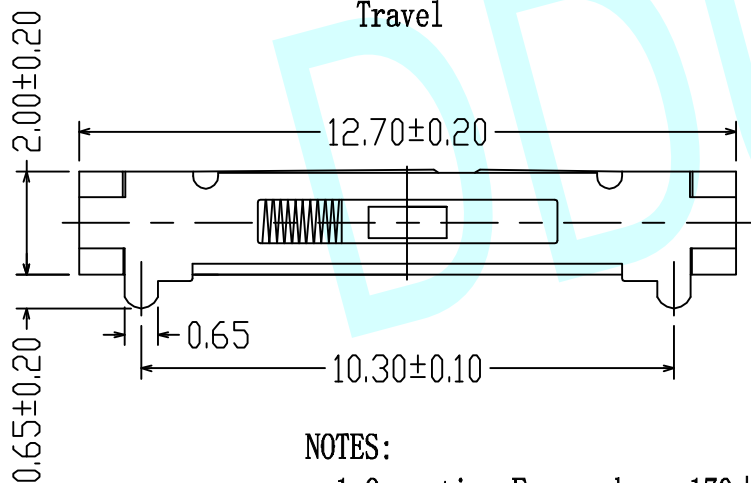
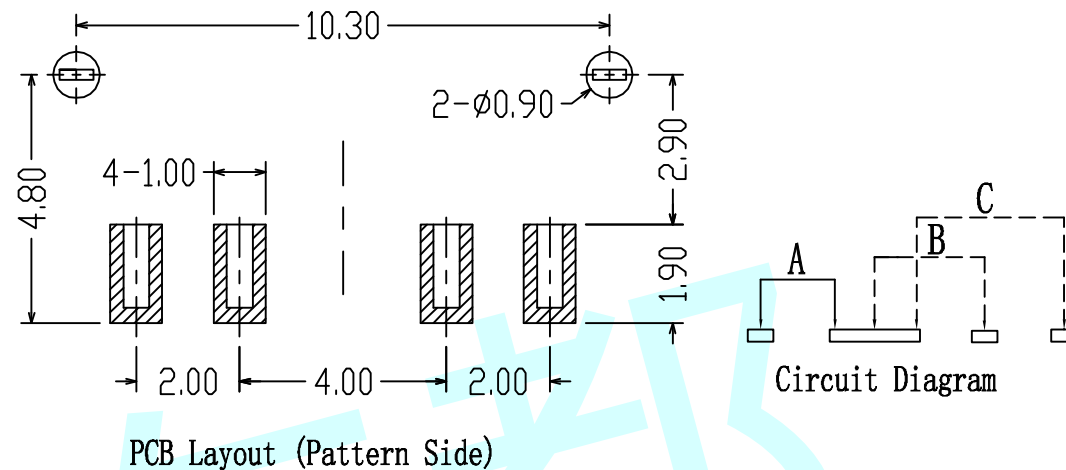
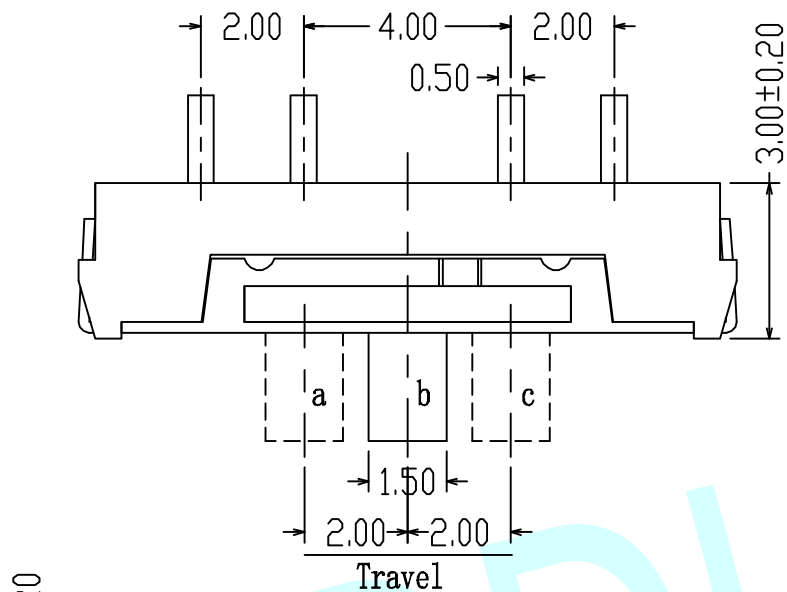


**ROHS**



**NOTES:**

- 1. Operating Force :b→c 170±30gf,  
a→b/b→a 200±50gf

APPROVALS		DATE	http://www.dongdudz.com		
DRAW:	ZRD	2017-12-6	TOLERANCE:	ANGLE:	
CHECKED:	***	***	30≥	±0.30	
APPOVALS:	***	***	10~30	±0.20	
			5~10	±0.15	
			≤5	±0.10	
			±2°	<b>® 东都电子</b> DONGDU ELECTRONICS	
MODEL:		TOGGLE SWITCHES			
PART NO:		DDU-1432			
UNIT :mm	SCALE:1:1				
REV:	A	PAGE:1/1			