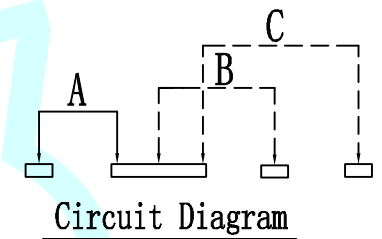
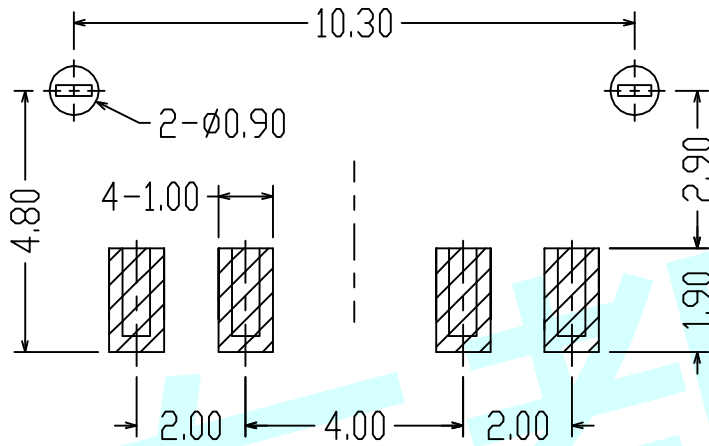
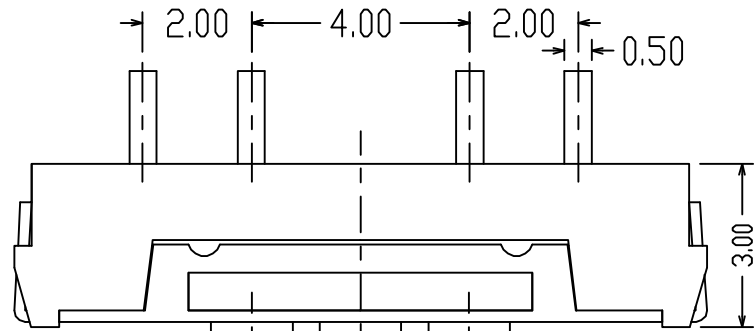
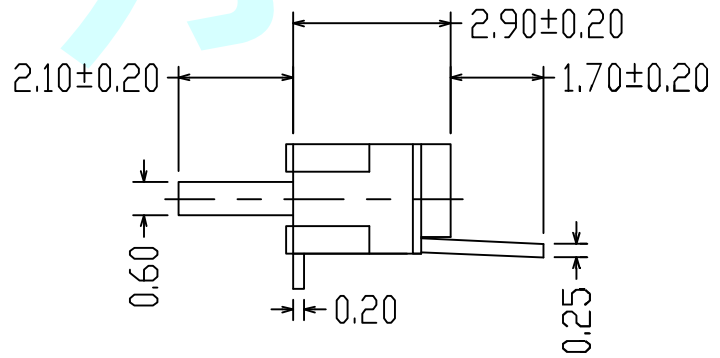
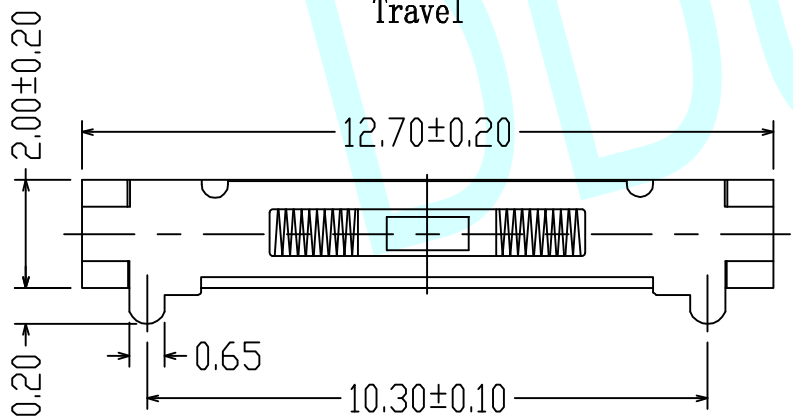


ROHS


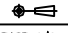


PCB Layout (Pattern Side)

Circuit Diagram



NOTES:
1. Operating Force : 170 ± 30 gf

APPROVALS		DATE	http://www.dongdudz.com	
DRAW:	ZRD	2017-12-6	TOLERANCE:	ANGLE:
CHECKED:	***	***	30° ≥	±2°
APPOVALS:	***	***	10° 30'	
			5° 10'	
			≤5	±0.10
			 ® 东都电子 DONGDU ELECTRONICS	
MODBL:		TOGGLE SWITCHES		
PART NO:		DDU-1434		
UNIT :mm	SCALE:1:1			
REV:	A	PAGE:1/1		