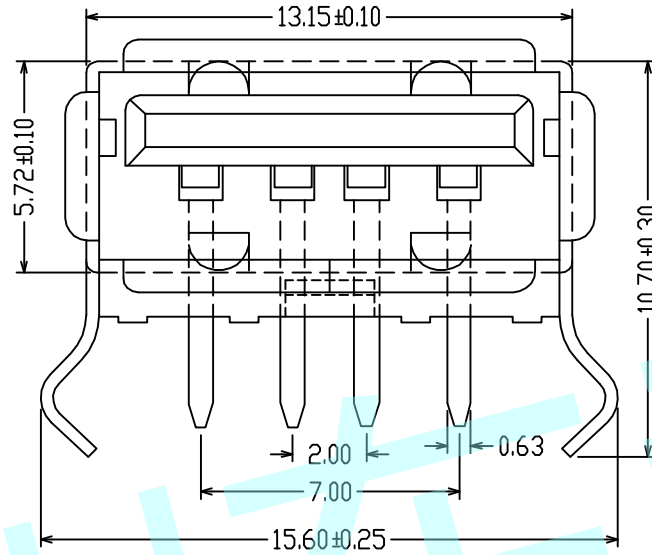
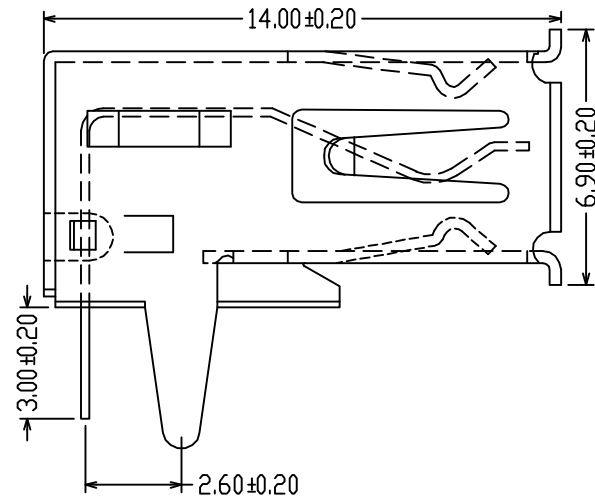


ROHS



NOTES:

A. Electrical:

1. Current Rating:1.5A/Contact Terminal
2. Voltage Rating:30V DC
3. Contact Resistance:30mΩ MAX
4. Withstanding Voltage:500V AC AT Sea LEVEL
5. Insulation Resistance:1000MΩ min

B. Mechanical:

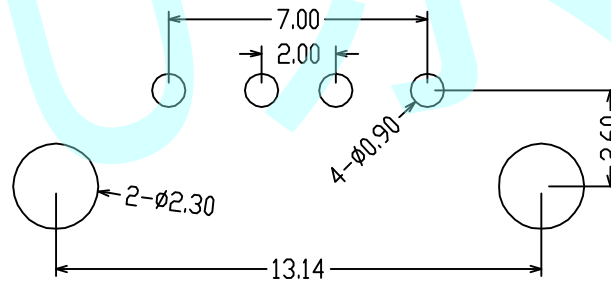
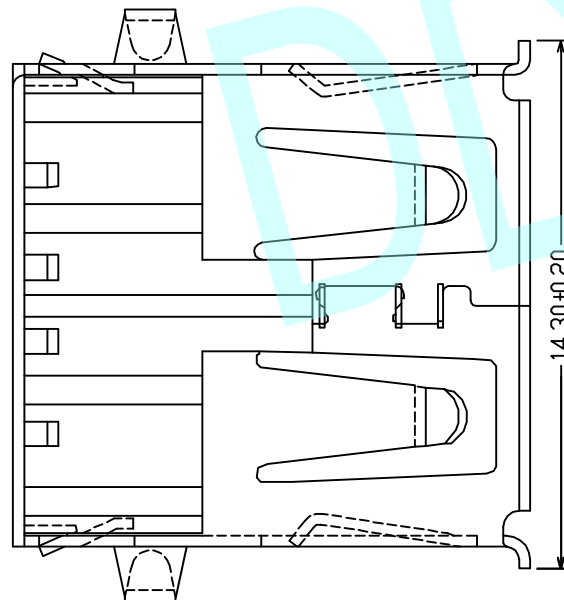
1. Connector Mate And Unmate Force:
Mate Force:3.75kgf (MIN)
2. Terminal Retention:1.02kgf (MIN)

C. Material:


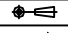
1. Housing:
Hing Temperature TnermapLASTICS,
UL 94V-0 PBT White/Black
2. Contact:Copper Alloy C2680
3. Shell:Copper Alloy C2680/SPCC

D. Finish:

1. Contact:Plated Gold In Mating Area:
Tin ON Solder Talls
2. Shell:Nickel Plating



PCB LAYOUT

APPROVALS		DATE	http://www.dongdudz.com		 <p>® 东都电子 DONGDU ELECTRONICS</p>
DRAW:	ZRD	2017-12-6	TOLERANCE:	ANGLE:	
CHECKED:	***	***	30°	±0.30	
APPOVALS:	***	***	10°30	±0.20	
			5°10	±0.15	
			≤5	±0.10	±2°
MODEL:	USB CONNECTOR		UNIT :mm	SCALE:1:1	
PART NO:	USB-90D-06		REV:	A	