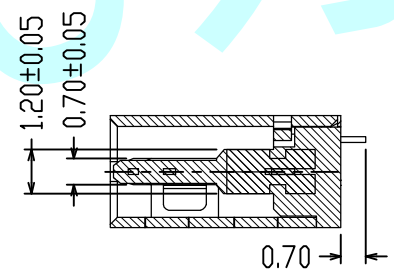
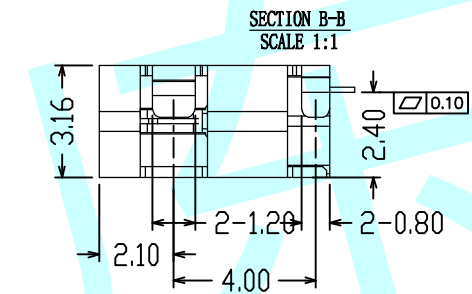
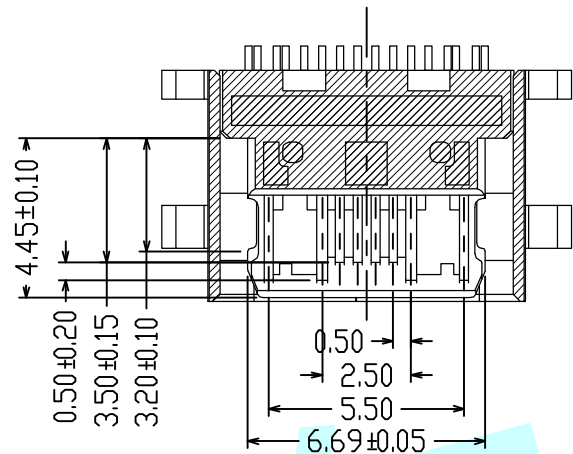
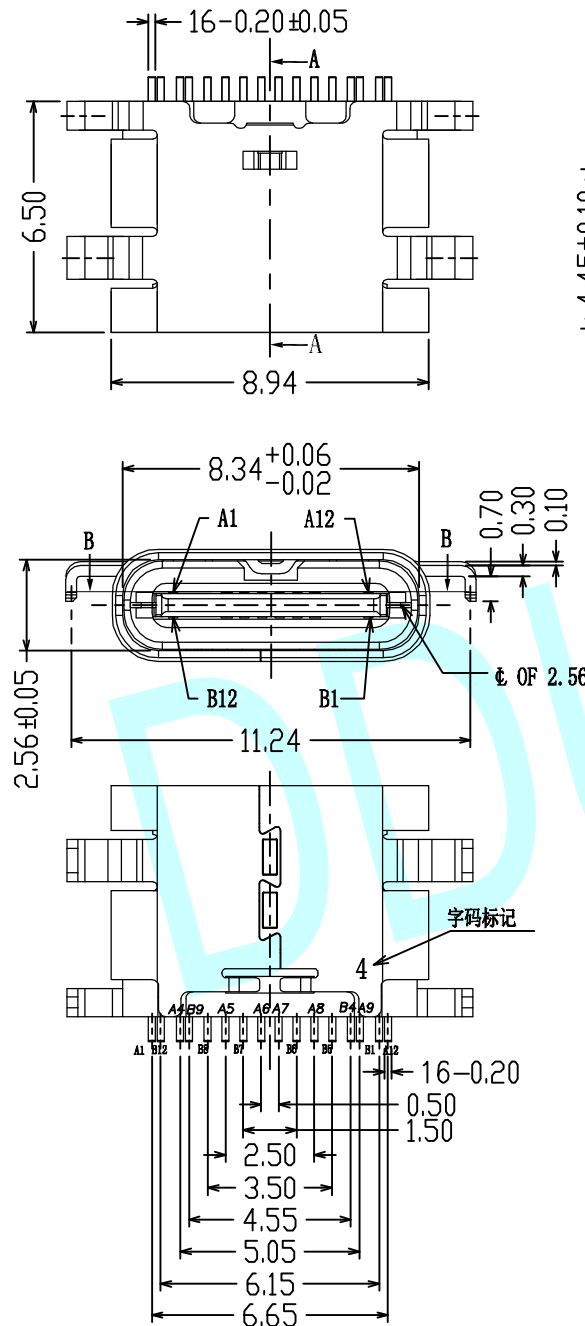


ROHS



SECTION A-A
SCALE 1:1

NOTES:

A. ELECTRICAL PERFORMANCE:

1. CURRENT RATING: 5A
2. VOLTAGE RATING: 20V
3. INSULATION RESISTANCE: 100MΩ MIN
4. LOW CONTACT RESISTANCE: INITIAL 40mΩ
AFTER 50MΩ

B. MATERIAL SPECIFICATION:

1. HOUSING: HIGH TEMPERATURE RESISTANT PLASTIC, UL94 V-0
2. CONTACTS: COPPER ALLOY
3. MID PLATE: STAINLESS STEEL
4. SHELL: SUS


C. ENVIRONMENTAL PERFORMANCE:

- D. OPERATING TEMPERATURE: -30°C~+80°C

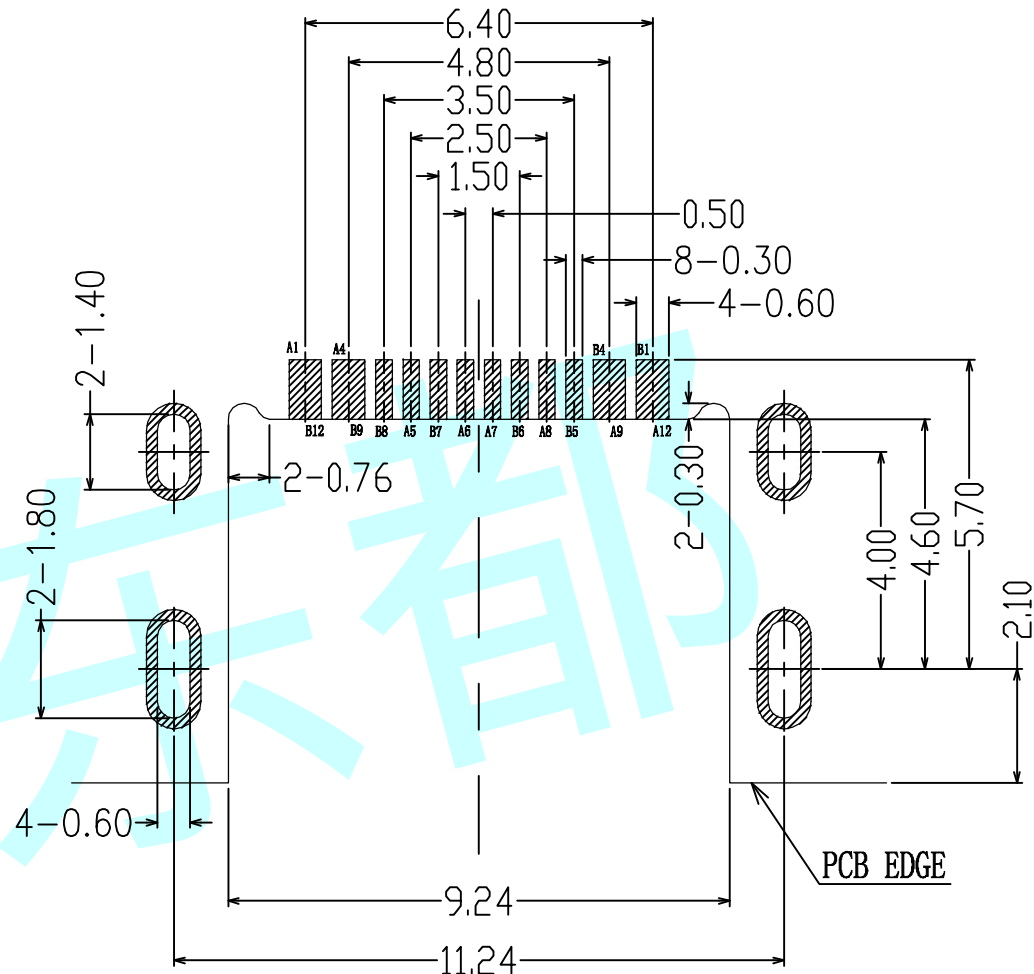
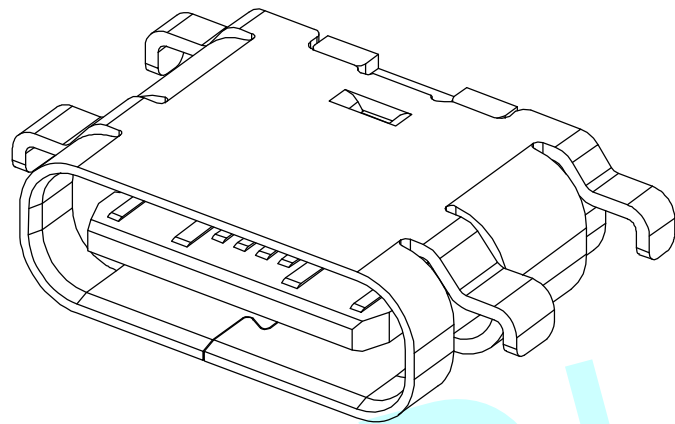
E. IR REFLOW:

THE PEAK TEMPERATURE ON THE BOARD SHALL BE MAINTAINED FOR 10 SECONDS AT 260°C

APPROVALS		DATE	http://www.dongdudz.com	
DRAW:	ZRD	2017-12-6	TOLERANCE:	ANGLE:
CHECKED:	***	****	30≥ ±0.30	±2°
APPOVALS:	***	****	10~30 ±0.20	
			5~10 ±0.15	
			≤5 ±0.10	

 东都电子 DONGDU ELECTRONICS	
MODEL:	USB CONNECTOR
PART NO:	TYPE-C-16P-L6.5-C2.4
UNIT :mm	SCALE:1:1
REV:	A
	PAGE:1/2

ROHS




USB TYPE-C PIN ASSIGNMENTS

PIN NUMBER	SIGNAL NAME	PIN NUMBER	SIGNAL NAME
A1	GND	B12	GND
A4	VBUS	B9	VBUS
A5	CC1	B8	SBU2
A6	Dp1	B7	Dn2
A7	Dn1	B6	Dp2
A8	SBU1	B5	CC2
A9	VBUS	B4	VBUS
A12	GND	B1	GND

RECOMMEND P. C. B LAYOUT (COMPONENT SIDE)

TOLERANCE FOR PCB LAYOUT IS ± 0.05

APPROVALS		DATE	http://www.dongdudz.com	
DRAW:	ZRD	2017-12-6	TOLERANCE:	ANGLE:
CHECKED:	***	****	30° ± 0.30	$\pm 2^\circ$
APPOVALS:	***	****	10°30' ± 0.20	
			5°10' ± 0.15	
			≤ 5 ± 0.10	

 ® 东都电子 DONGDU ELECTRONICS	
MODEL:	USB CONNECTOR
PART NO:	TYPE-C-16P-L6.5-C2.4
UNIT :mm	SCALE:1:1
REV:	A
	PAGE:2/2