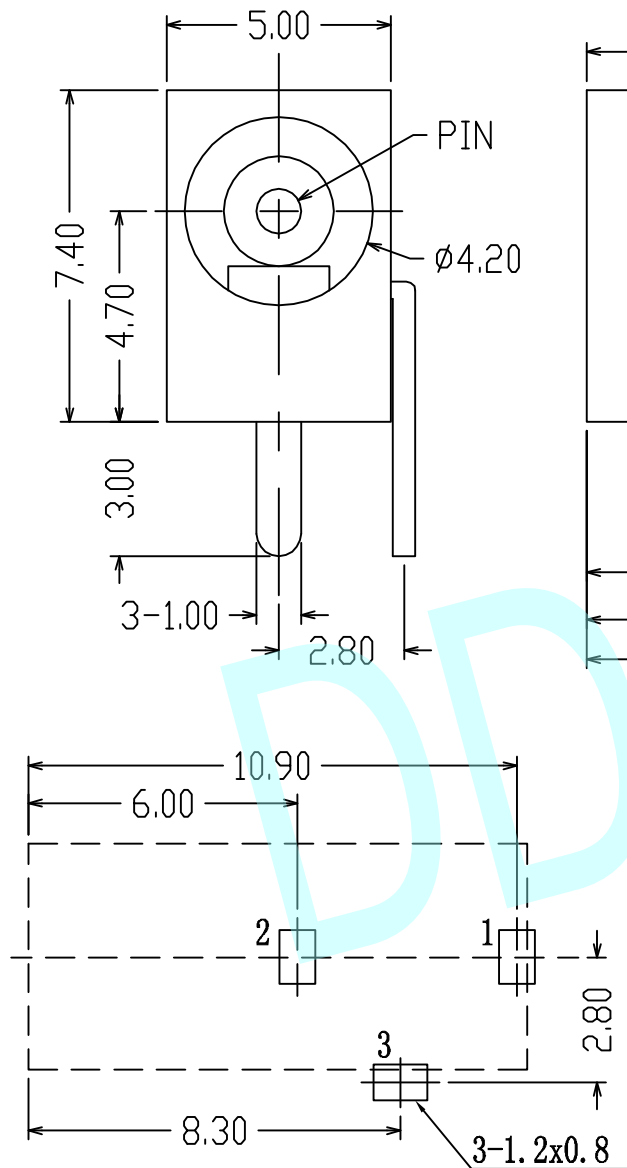
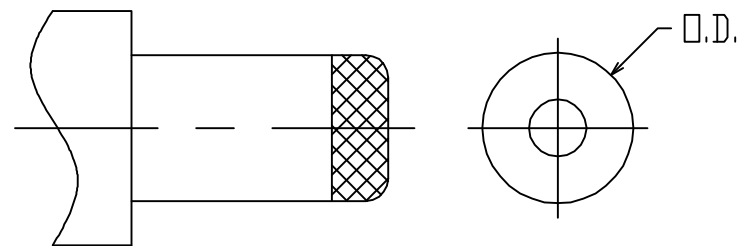
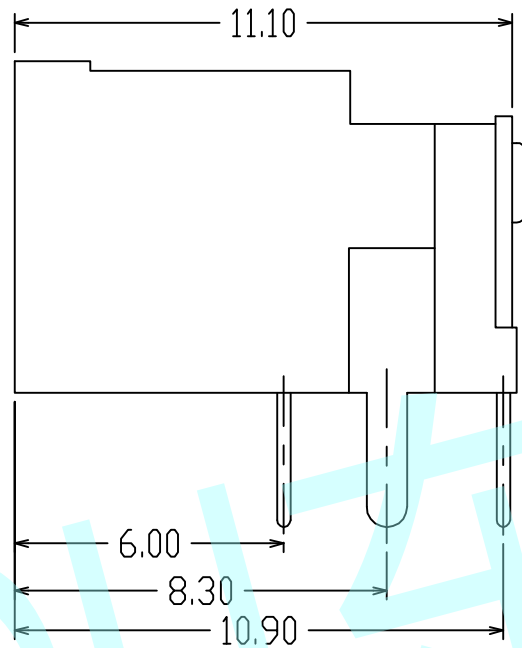


ROHS



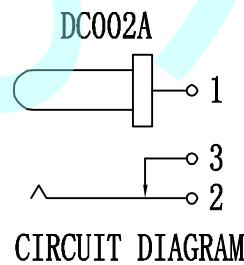
PCB LAYOUT (Copper-side view)



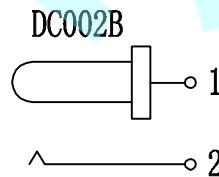
DC MATE PLUG

NOTES:

1. Rating: DC 0.5A 30V
2. Contact Resistance: 100mΩ Max
3. Operating temperature: -20°C ~ 70°C
4. Operating force: 3-20N
5. Operating Life: 5,000 cycles



CIRCUIT DIAGRAM



CIRCUIT DIAGRAM

PIN	ø0.65	ø1.00	ø1.30	ø1.65
DC PLUG O. D	ø2.35	ø3.50	ø3.50	ø4.00

APPROVALS		DATE	http://www.dongdudz.com	
DRAW:	ZRD	2017-12-6	TOLERANCE:	ANGLE:
CHECKED:	***	***	30≥ ±0.30	±2°
APPOVALS:	***	***	10~30 ±0.20	
			5~10 ±0.15	
			≤5 ±0.10	
			东都电子 DONGDU ELECTRONICS	
MODBL:		DC POWER JACK		
PART NO:		DC-002		
UNIT :mm	SCALE:1:1			
REV:	A	PAGE:1/1		