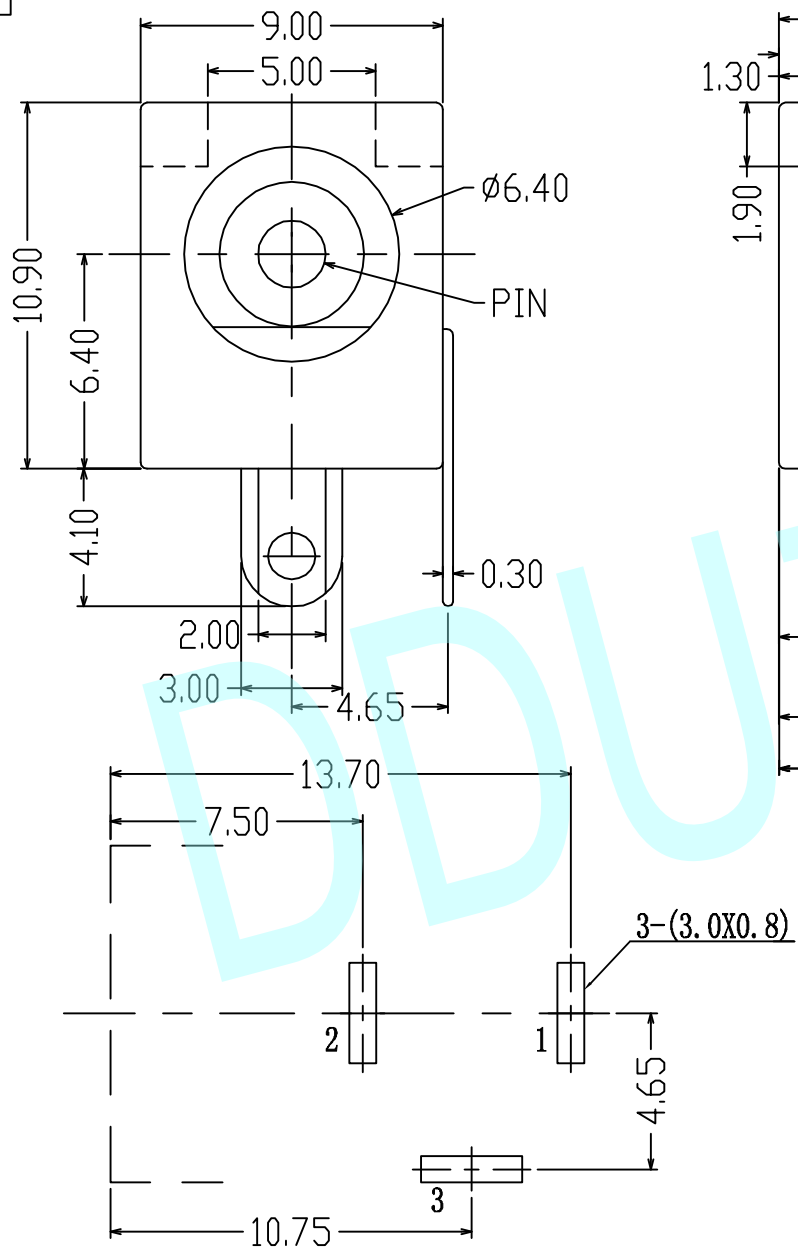
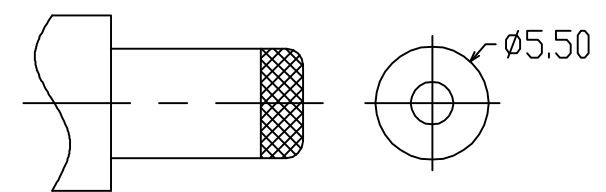
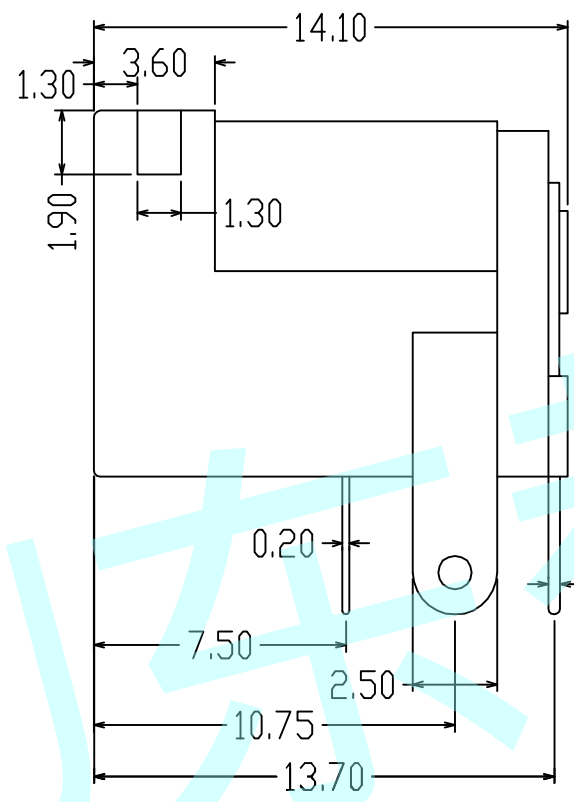


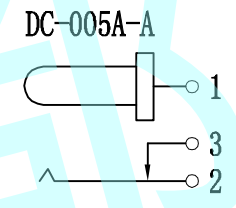
ROHS



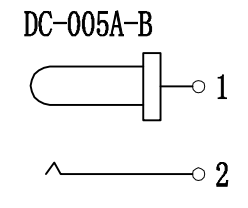
PCB Layout (Copper-Side View)



CIRCUIT DIAGRAM



CIRCUIT DIAGRAM



CIRCUIT DIAGRAM

NOTES:

1. Rating:DC 0.5A 30V
2. Contact Resistance:100mΩ Max
3. Operating temperature:-20℃~70℃
4. Operating force:3-20N
5. Operating Life:5,000cycles

		PIN	$\phi 2.00$	$\phi 2.35$	$\phi 2.50$
APPROVALS	DATE	http://www.dongdudz.com			
DRAW:	ZRD	2017-12-6	TOLERANCE:	ANGLE:	
CHECKED:	***	***	30 \geq	± 0.30	$\pm 2^\circ$
APPOVALS:	***	***	10 \sim 30	± 0.20	
			5 \sim 10	± 0.15	
			≤ 5	± 0.10	
				MODL:	DC POWER JACK
				PART NO:	DC-005A
				UNIT :mm	SCALE:1:1
				REV:	A
				PAGE:1/1	

