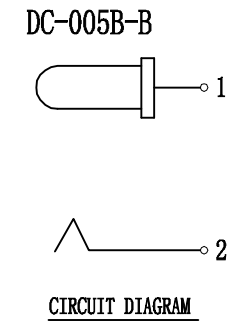
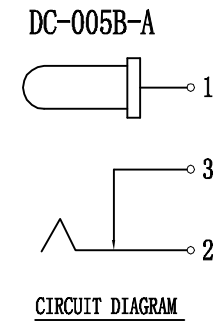
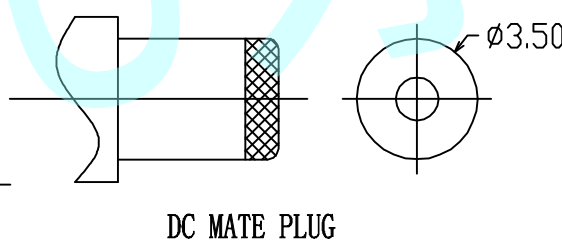
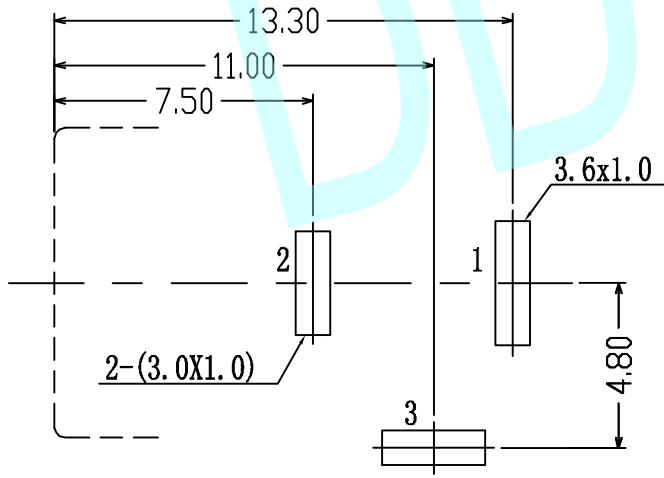
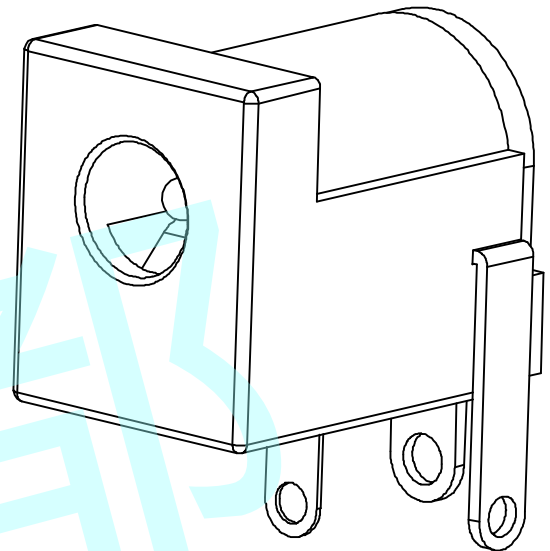
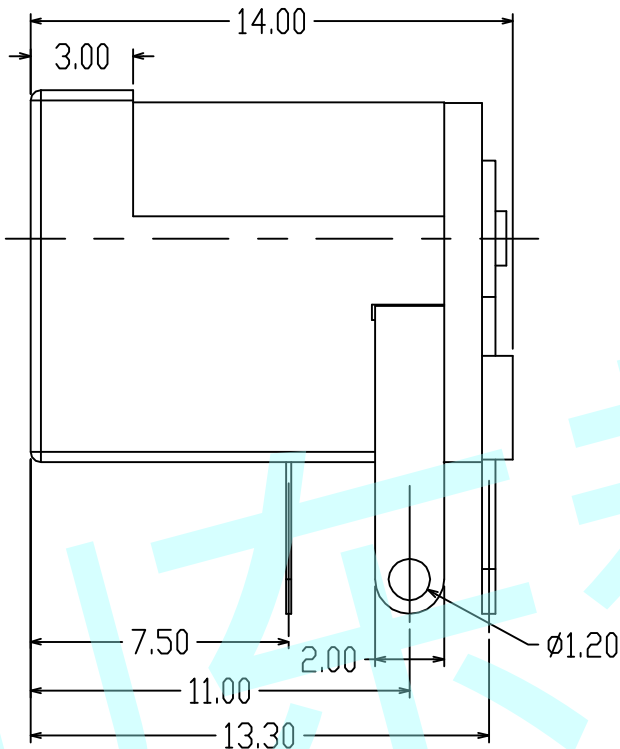
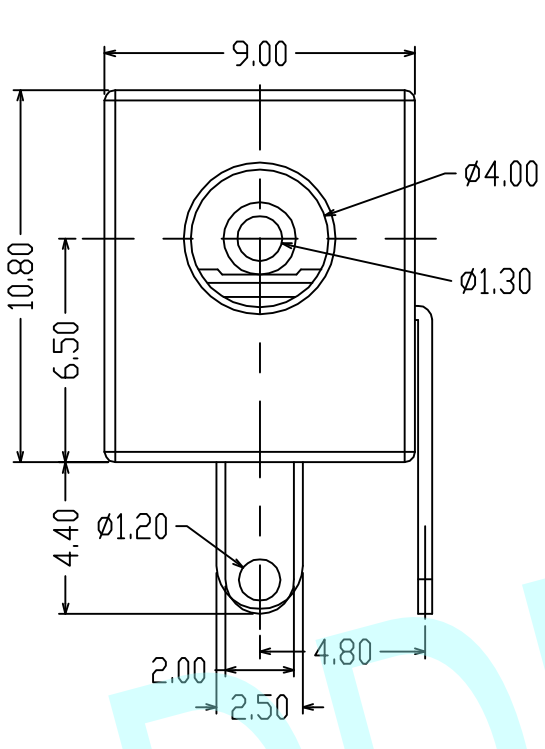



ROHS



PCB Layout (Pattern Side)

APPROVALS		DATE	http://www.dongdudz.com		 ® 东都电子 DONGDU ELECTRONICS
DRAW:	ZRD	2017-12-6	TOLERANCE:	ANGLE:	
CHECKED:	***	***	30≥	±0.30	±2°
APPOVALS:	***	***	10~30	±0.20	
			5~10	±0.15	
			≤5	±0.10	
MODEL:	DC POWER JACK				
PART NO:	DC-005B				
UNIT :mm	SCALE:1:1				
REV:	A			PAGE:1/1	