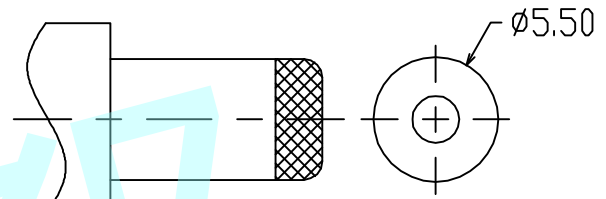
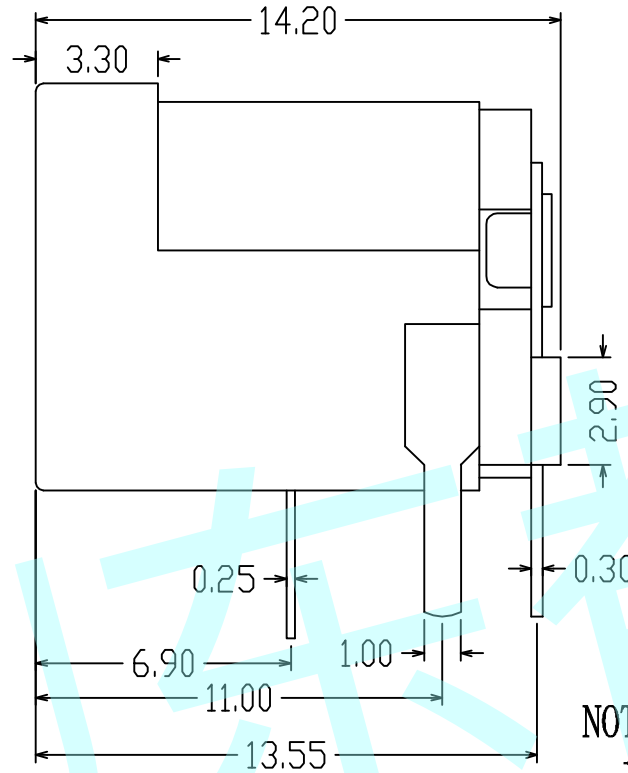
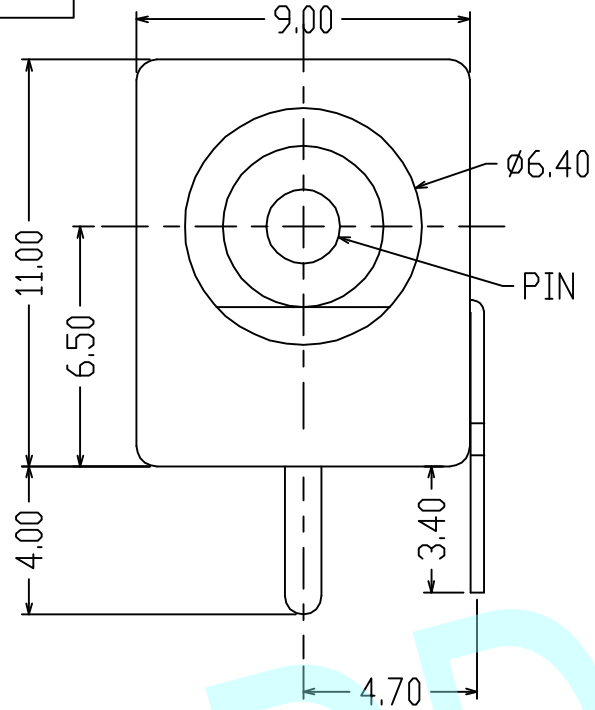


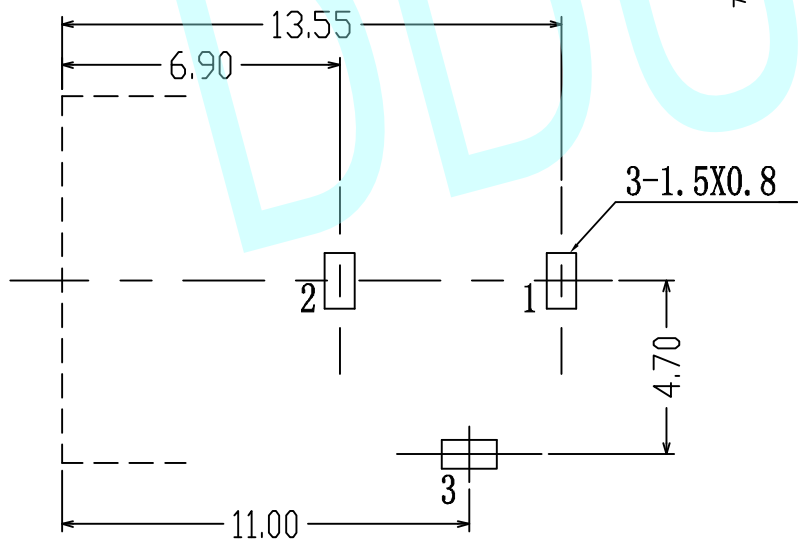
ROHS



DC MATE PLUG


NOTES:

1. Rating:DC 3A 24V
2. Contact Resistance:100mΩ Max
3. Operating temperature:-20℃~70℃
4. Operating force:3-20N
5. Operating Life:5,000cycles



PCB LAYOUT (Copper-side view)

	PIN	ø2.00	ø2.50
--	-----	-------	-------

APPROVALS		DATE	http://www.dongdudz.com		 ® 东都电子 DONGDU ELECTRONICS
DRAW:	ZRD	2017-12-6	TOLERANCE:	ANGLE:	
CHECKED:	***	***	30° ≥ ±0.30	±2°	
APPOVALS:	***	***	10°~30 ±0.20		
			5°~10 ±0.15		
			≤5 ±0.10		
MODEL:	DC POWER JACK				
PART NO:	DC-006C				
UNIT :mm	SCALE:1:1				
REV:	A				PAGE:1/1