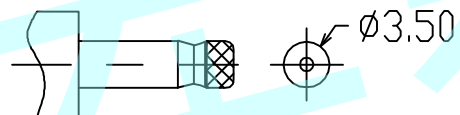
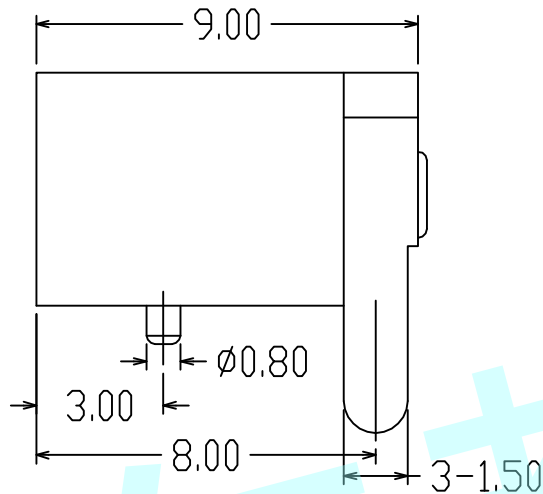
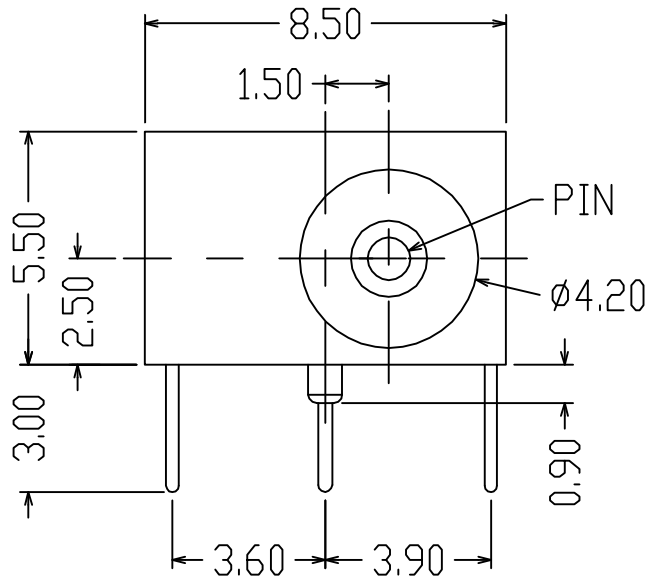
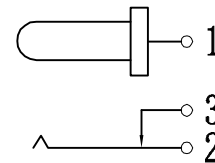


ROHS



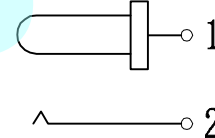
DC MATE PLUG

DC-006-A



CIRCUIT DIAGRAM

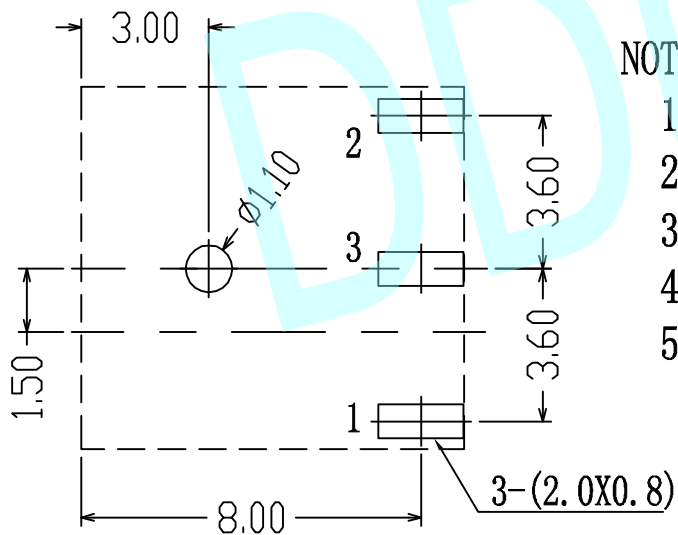
DC-006-B





CIRCUIT DIAGRAM

NOTES:

1. Rating:DC 0.5A 30V
2. Contact Resistance:100mΩ Max
3. Operating temperature:-20℃~70℃
4. Operating force:3-20N
5. Operating Life:5,000cycles



PCB Layout (Copper-Side View)

		PIN		ø1.00		ø1.30	
APPROVALS		DATE		<a href="http://www.dongdudz.com">http://www.dongdudz.com</a>			
DRAW:	ZRD	2017-12-6		TOLERANCE:		ANGLE:	
CHECKED:	***	***		30≥	±0.30	±2°	
APPOVALS:	***	***		10~30	±0.20		
				5~10	±0.15		
				≤5	±0.10		
						 <b>® 东都电子</b> DONGDU ELECTRONICS	
						MODEL: DC POWER JACK PART NO: DC-006	
						UNIT :mm SCALE:1:1 	
						REV: A PAGE:1/1	