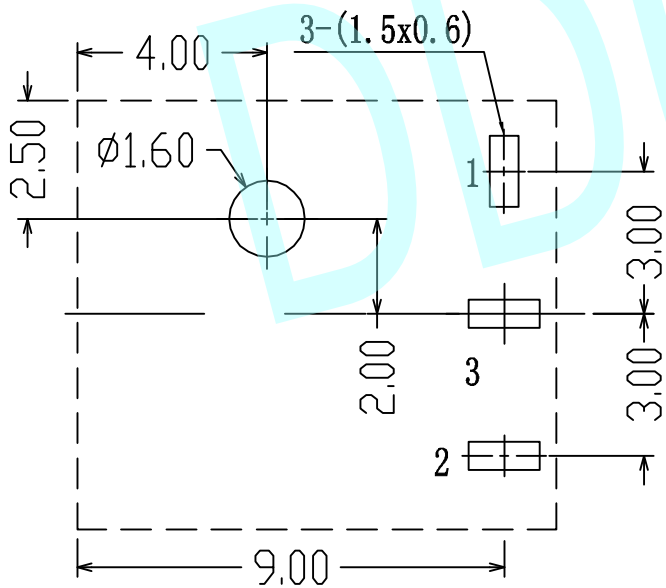
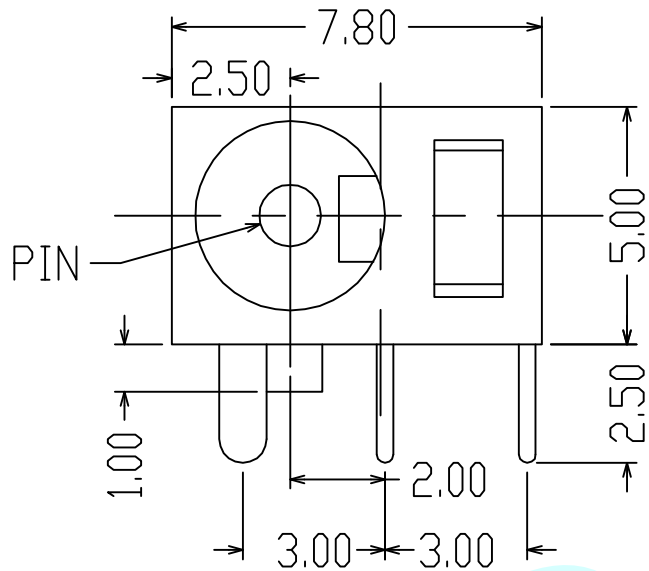
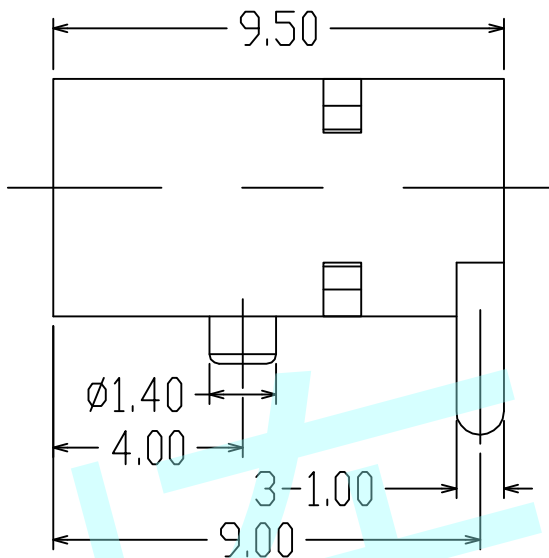


**ROHS**

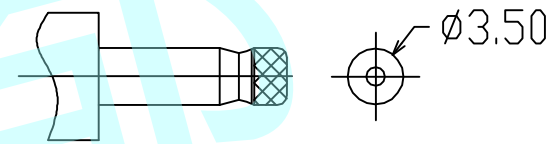


PCB Layout (Copper-Side View)

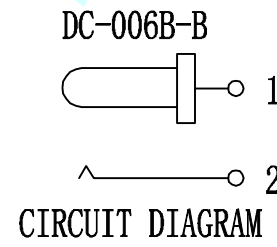
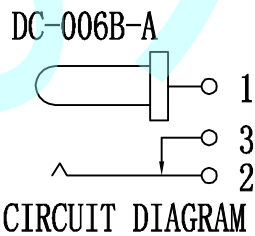


**NOTES:**

1. Rating:DC 0.5A 30V
2. Contact Resistance:100mΩ Max
3. Operating temperature:-20℃~70℃
4. Operating force:3-20N
5. Operating Life:5,000cycles



DC MATE PLUG



APPROVALS		DATE	http://www.dongdudz.com		PIN	∅1.00	∅1.30
DRAW:	ZRD	2017-12-6	TOLERANCE:	ANGLE:			
CHECKED:	***	***	30≥	±0.30			
APPOVALS:	***	***	10~30	±0.20			
			5~10	±0.15			
			≤5	±0.10			
					<b>东都电子</b> DONGDU ELECTRONICS		
					MODEL: DC POWER JACK PART NO: DC-006B UNIT :mm SCALE:1:1		
					REV: A PAGE:1/1		