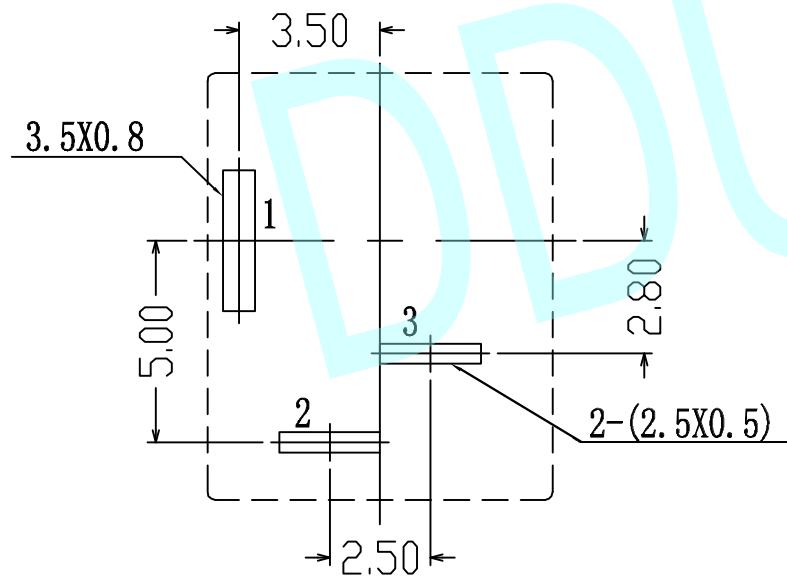
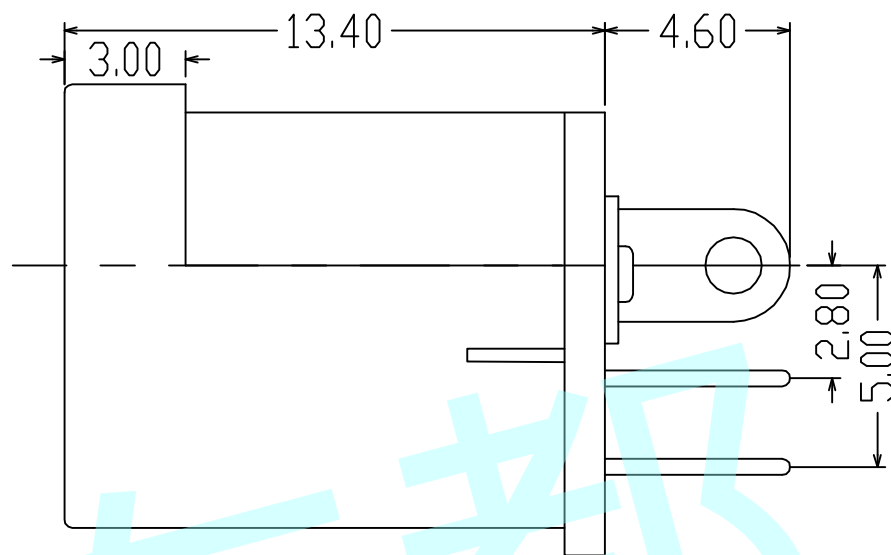
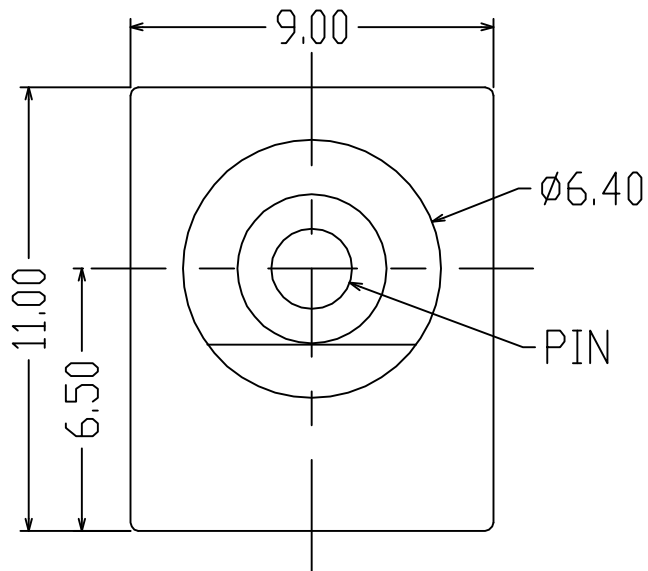
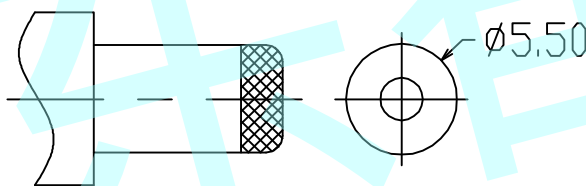


ROHS



PCB Layout (Copper-Side View)

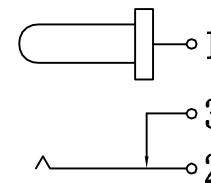


DC MATE PLUG

NOTES:

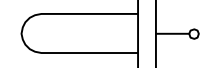
1. Rating:DC 0.5A 30V
2. Contact Resistance:100mΩ Max
3. Operating temperature:-20°C~70°C
4. Operating force:3-20N
5. Operating Life:5,000cycles

DC-012-A


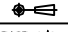


CIRCUIT DIAGRAM

DC-012-B



CIRCUIT DIAGRAM

		PIN	Ø2.00	Ø2.35	Ø2.50
APPROVALS		DATE	http://www.dongdudz.com		
DRAW:	ZRD	2017-12-6	TOLERANCE:	ANGLE:	
CHECKED:	***	***	30≥ ±0.30	±2°	
APPOVALS:	***	***	10~30 ±0.20		
			5~10 ±0.15		
			≤5 ±0.10		
				 <b>® 东都电子</b> DONGDU ELECTRONICS	
				MODBL: DC POWER JACK PART NO: DC-012 UNIT :mm SCALE:1:1  REV: A PAGE:1/1	