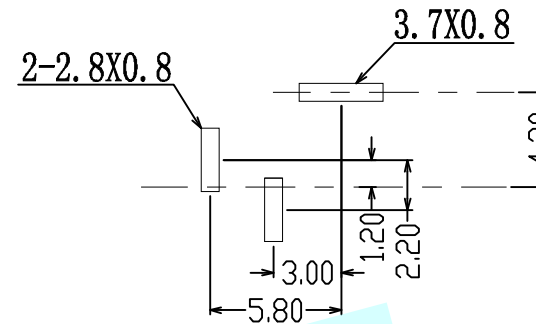
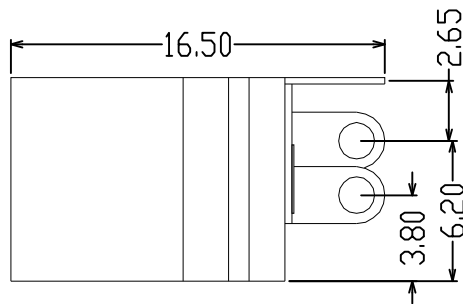
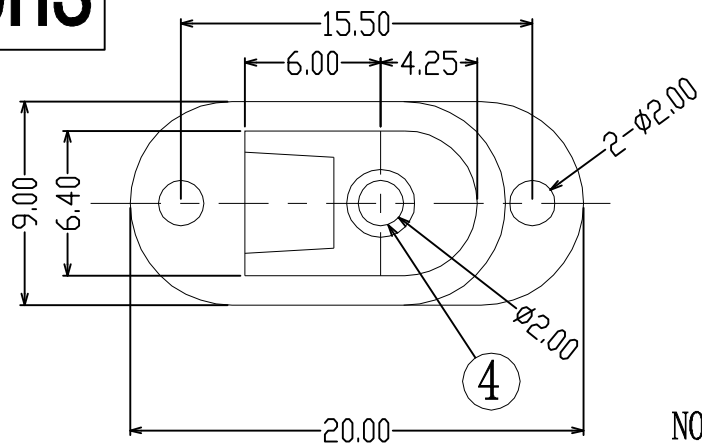
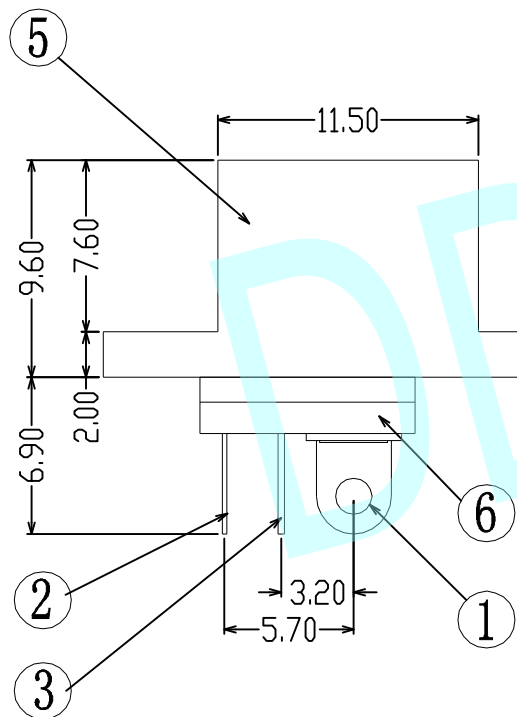


ROHS

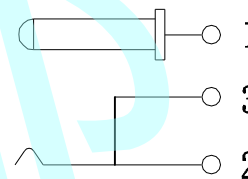


PCB Layout (Copper-Side View)





NOTES:

1. Conditions of use:  $-40^{\circ}\text{C} \sim 55^{\circ}\text{C}$
2. Rated load: DC 30V 0.5A
3. Contact resistance:  $\leq 0.03 \Omega$
4. Insulation resistance:  $\geq 100\text{M}\Omega$  DC 250V
5. Withstand voltage: AC 500V (50Hz)/min
6. Insertion and extraction force:  $3 \sim 20\text{N}$
7. Mechanical life: 5,000 Cycles



CIRCUIT DIAGRAM

6	COVER	1	PBT	BLACK
5	BASE	1	PBT	BLACK
4	Pin	1	H59-1 $\phi=0.20$	Sn plating
3	Fixed contact piece	1	H62 t=0.35	Sn plating
2	Movable contact piece	1	Mn t=0.30	Sn plating
1	TERMINAL	1	H62 t=0.35	Sn plating
NO.	Part Name	Q' TY	MATERIAL	FINISH

APPROVALS		DATE	http://www.dongdudz.com	
DRAW:	ZRD	2017-12-6	TOLERANCE:	ANGLE:
CHECKED:	***	***	30 $\geq$	±2°
APPOVALS:	***	***	10 $\sim$ 30	
			5 $\sim$ 10	
			≤5	
			 <b>东都电子</b> DONGDU ELECTRONICS	
MODBL:		DC POWER JACK		
PART NO:		DC-016-2.0-19.6		
UNIT :mm		SCALE:1:1		
REV:		A	PAGE:1/1	