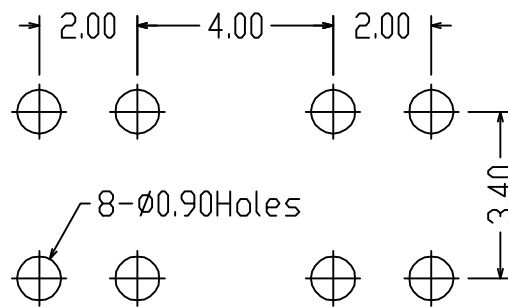
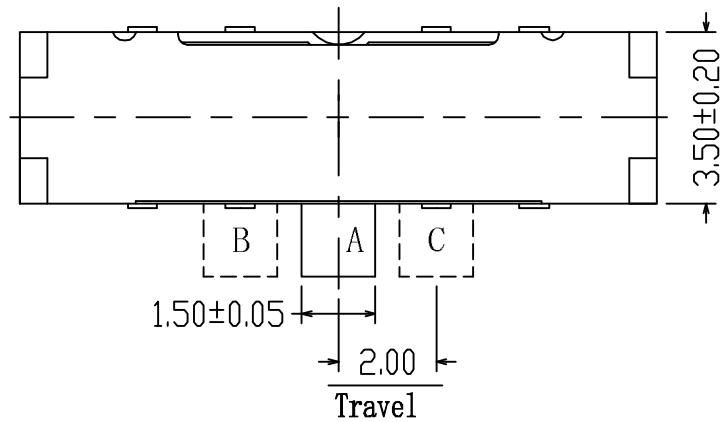
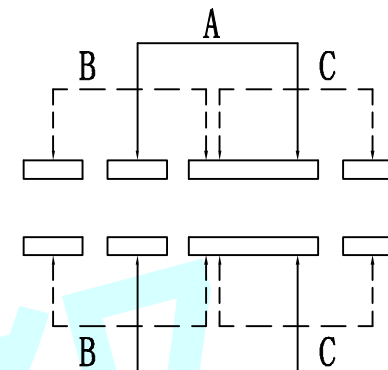


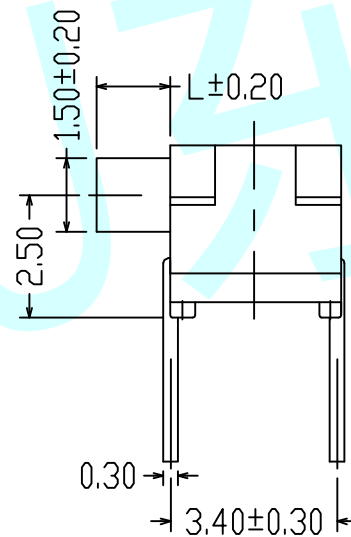
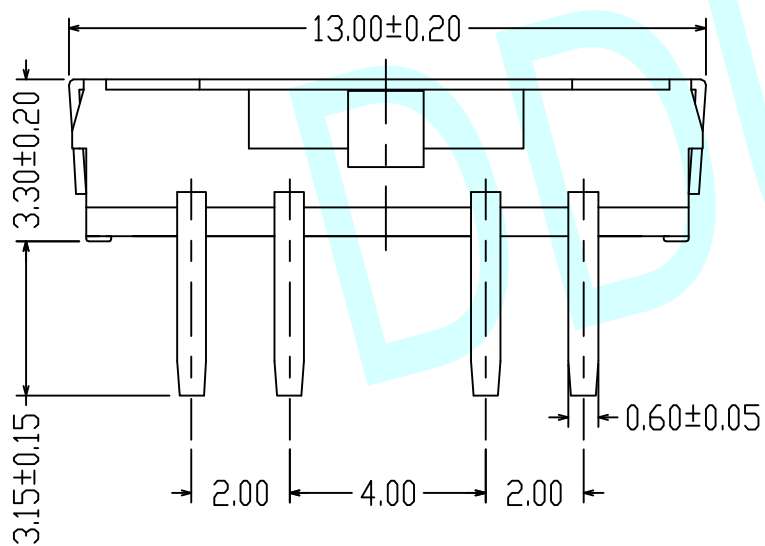
ROHS



PCB Layout (Pattern Side)




Circuit Diagram



NOTES:

1. Operating Force: 250±100gf

| | | | | | |
|-----------|-----------------|-----------|-------------------------|----------|---|
| | | L | 2.00 | 3.00 | 4.00 |
| APPROVALS | | DATE | http://www.dongdudz.com | |  东都电子 DONGDU ELECTRONICS |
| DRAW: | ZRD | 2017-12-6 | TOLERANCE: | ANGLE: | |
| CHECKED: | *** | *** | 30° ≥ ±0.30 | ±2° | |
| APPOVALS: | *** | *** | 10°~30 ±0.20 | | |
| | | | 5°~10 ±0.15 | | |
| | | | ≤5 ±0.10 | | |
| MODEL: | TOGGLE SWITCHES | | | | |
| PART NO: | DDU-1410D | | | | |
| UNIT :mm | SCALE:1:1 | | | | |
| REV: | A | | | PAGE:1/1 | |