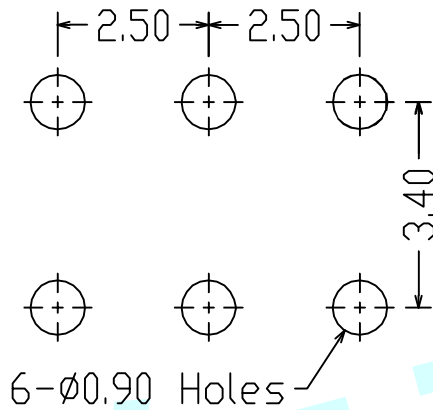
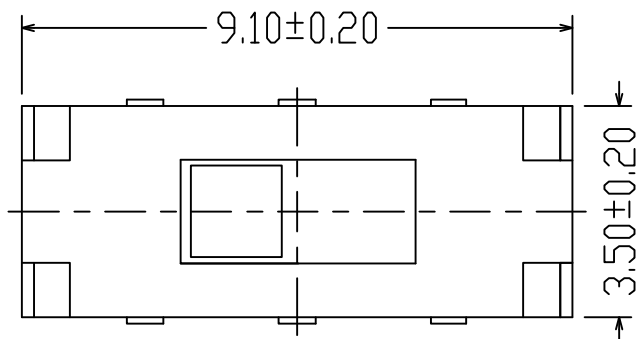
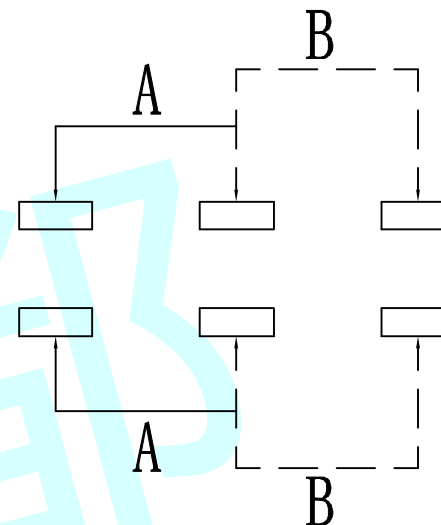


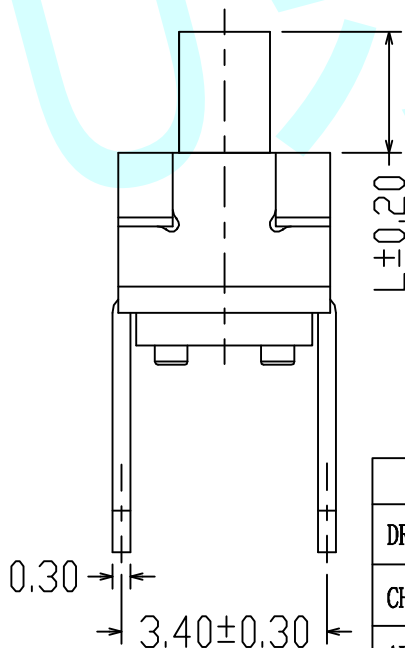
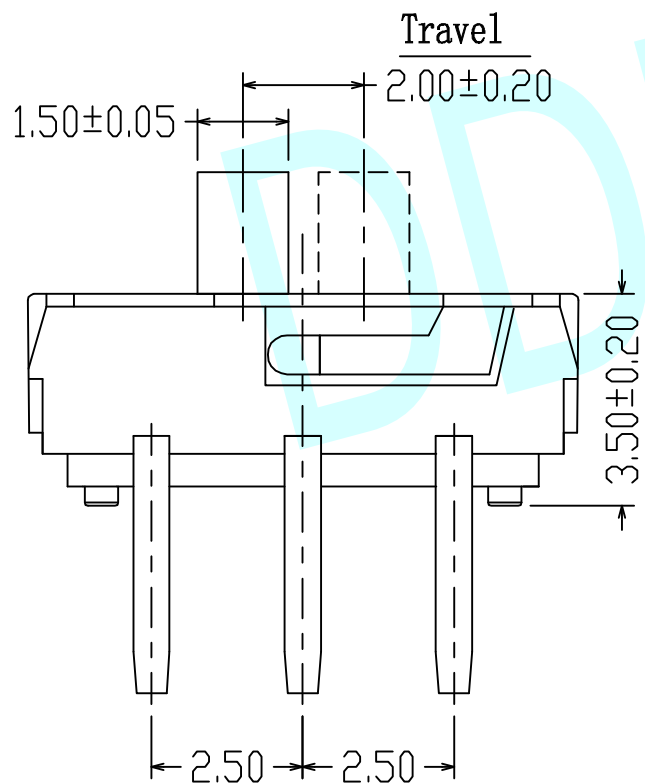
ROHS



PCB Layout (Pattern Side)


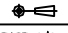


Circuit Diagram



NOTE:

1. Operating Force: 200±100gf

		L	2.00	3.00	4.00
APPROVALS		DATE		http://www.dongdudz.com	
DRAW:	ZRD	2017-12-6		TOLERANCE:	ANGLE:
CHECKED:	***	***		30° ≥ ±0.30	±2°
APPOVALS:	***	***		10°30 ±0.20	
				5°10 ±0.15	
				≤5 ±0.10	
				 ® 东都电子 DONGDU ELECTRONICS	
				MODL: TOGGLE SWITCHES PART NO: DDU-1420D UNIT :mm SCALE:1:1  REV: A PAGE:1/1	