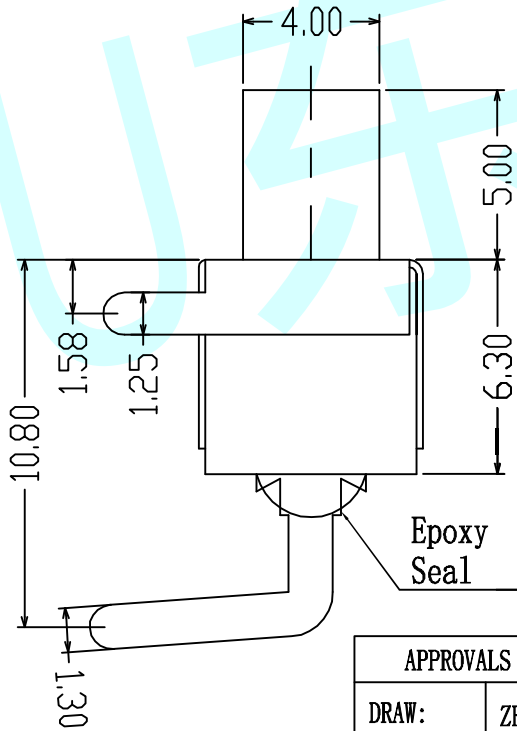
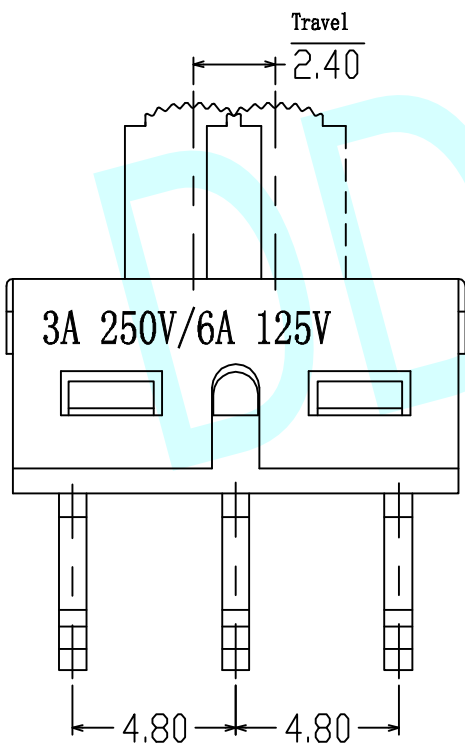
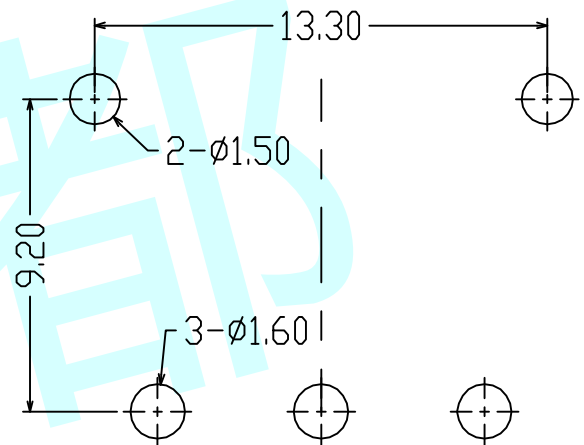
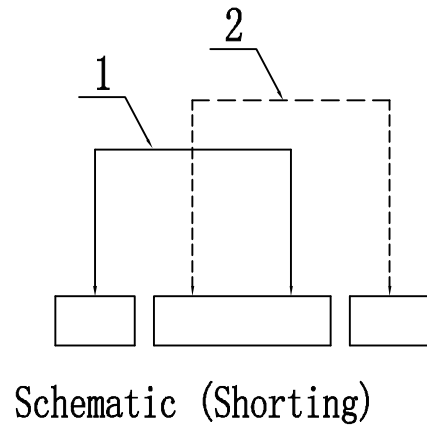
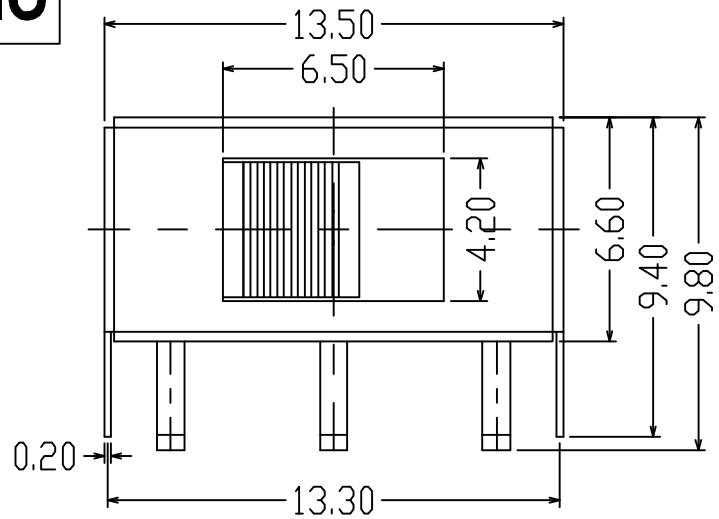

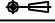


ROHS



APPROVALS		DATE	http://www.dongdudz.com		 东都电子 DONGDU ELECTRONICS
DRAW:	ZRD	2017-12-6	TOLERANCE:	ANGLE:	
CHECKED:	***	***	30° ≥ ±0.30	±2°	
APPOVALS:	***	***	10°30 ±0.20		
			5°10 ±0.15		
			≤5 ±0.10		MODL: TOGGLE SWITCHES PART NO: DDU-1428 UNIT :mm SCALE:1:1  REV: A PAGE:1/1