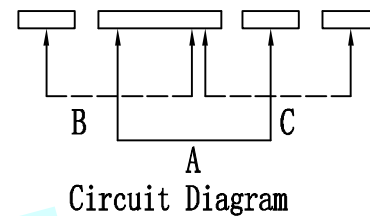
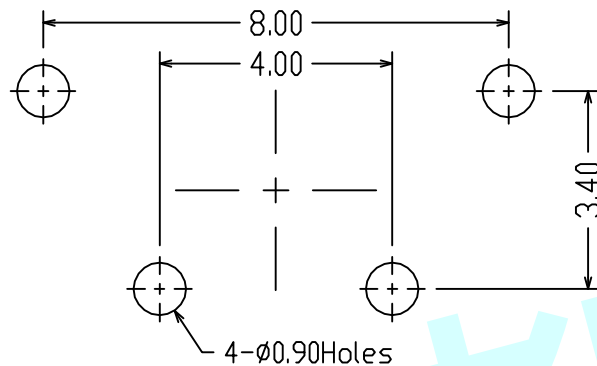
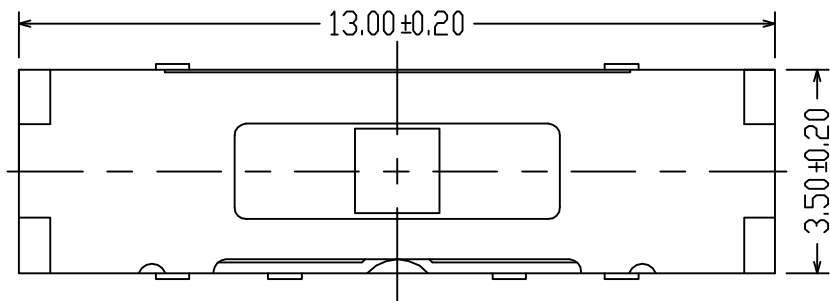


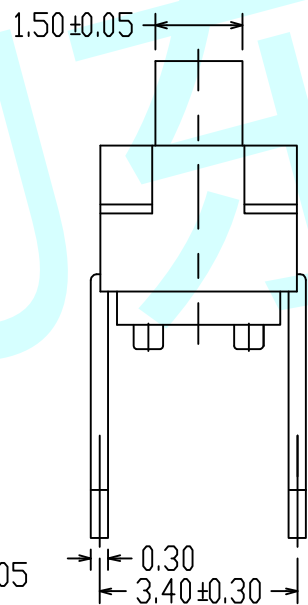
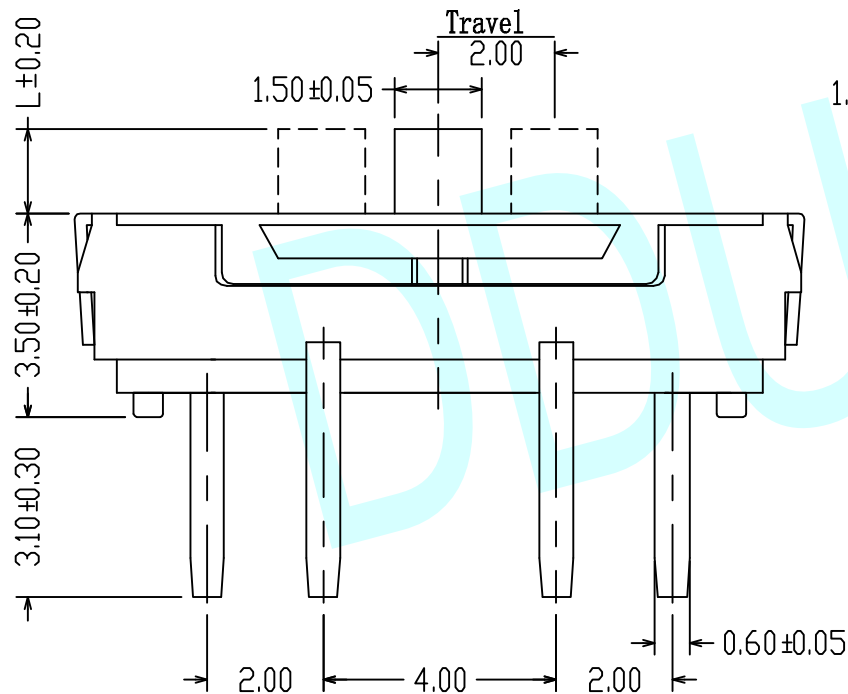
**ROHS**



PCB Layout (Pattern Side)

**NOTES:**


1. Operating Force :  $250 \pm 100$ gf



L	2.00	3.00	4.00
---	------	------	------

APPROVALS		DATE	http://www.dongdudz.com	
DRAW:	ZRD	2017-12-6	TOLERANCE:	ANGLE:
CHECKED:	***	***	30°	±2°
APPOVALS:	***	***	10°30'	
			5°10'	
			≤5	±0.10

 <b>® 东都电子</b> DONGDU ELECTRONICS	
MODEL:	TOGGLE SWITCHES
PART NO:	DDU-1439D
UNIT : mm	SCALE: 1:1
REV:	A

MODEL:	TOGGLE SWITCHES
PART NO:	DDU-1439D
UNIT : mm	SCALE: 1:1
REV:	A