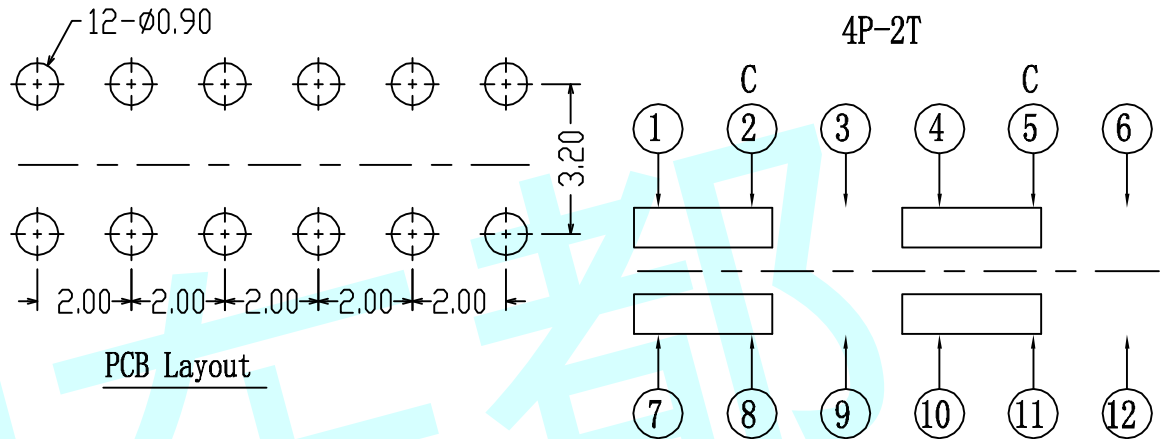
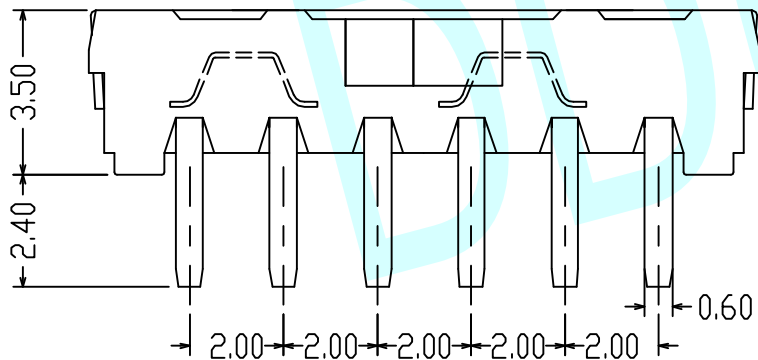
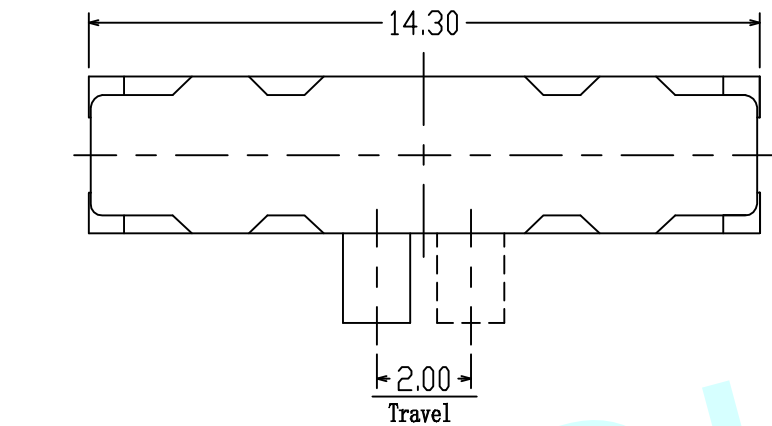
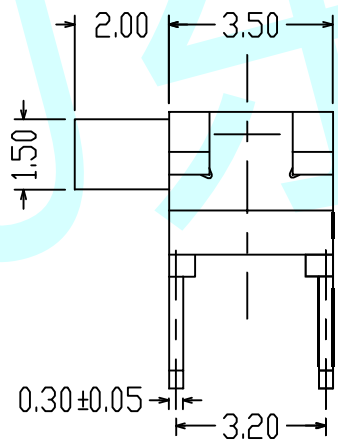


ROHS




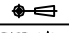
PCB Layout

Circuit Diagram



NOTES:

1. Operating Force :200±50gf

APPROVALS		DATE	http://www.dongdudz.com		 ® 东都电子 DONGDU ELECTRONICS
DRAW:	ZRD	2017-12-6	TOLERANCE:	ANGLE:	
CHECKED:	***	***	30° ≥	±0.30	±2°
APPOVALS:	***	***	10°~30	±0.20	
			5°~10	±0.15	
			≤5	±0.10	
MODL:	TOGGLE SWITCHES		UNIT :mm	SCALE:1:1	
PART NO:	DDU-1458D		REV:	A	PAGE:1/1