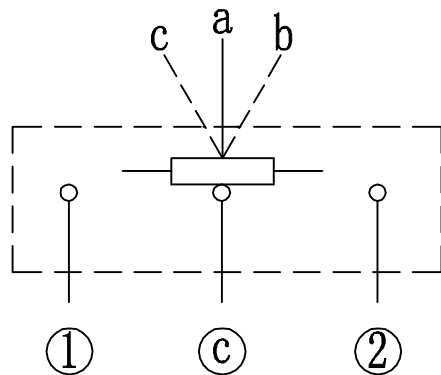
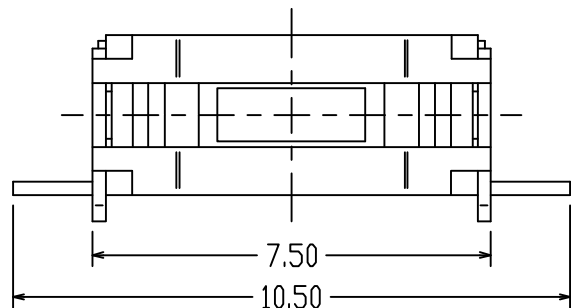
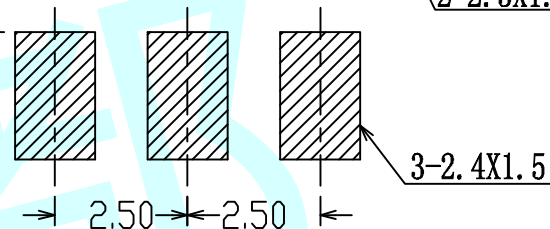
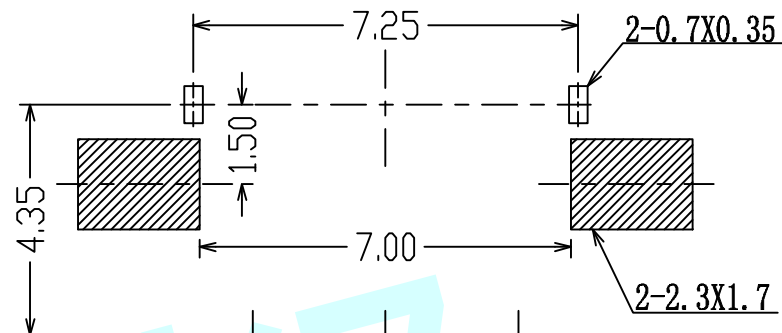


ROHS



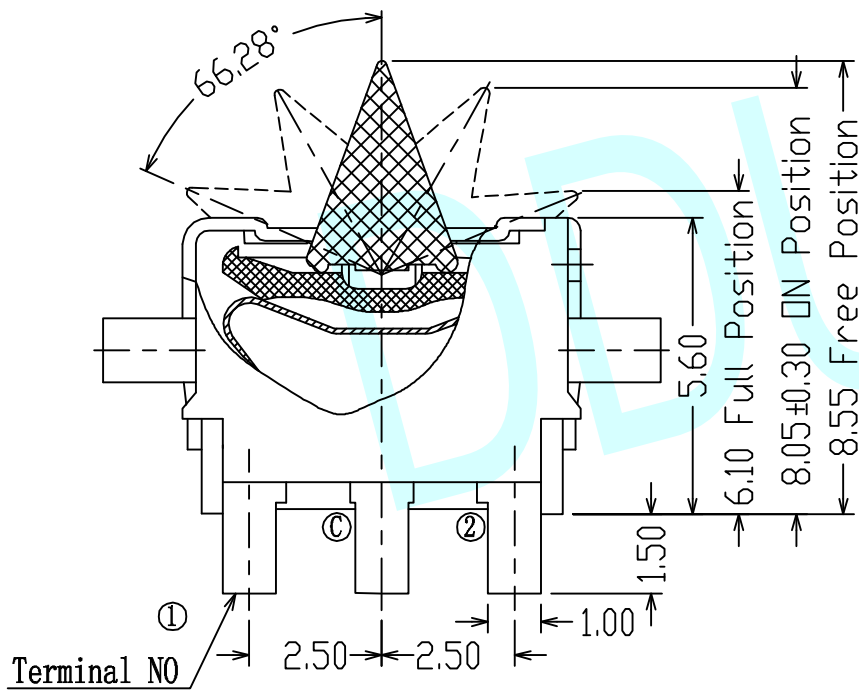
Circuit Diagram



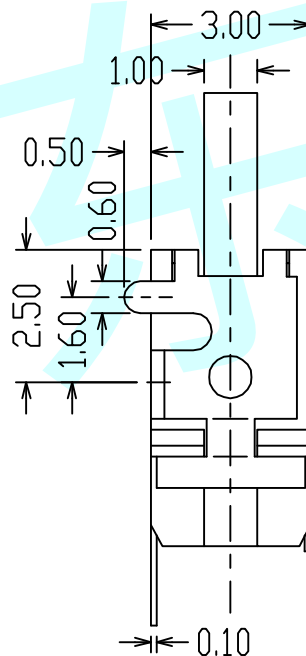
PCB Layout (Pattern Side)

NOTES:


1. Operating Force: 40gf



Terminal NO



APPROVALS		DATE	http://www.dongdudz.com	
DRAW:	ZRD	2017-12-6	TOLERANCE:	ANGLE:
CHECKED:	***	****	30°	±0.30
APPOVALS:	***	****	10°30'	±0.20
			5°10'	±0.15
			≤5	±0.10

 ® 东都电子 DONGDU ELECTRONICS	
MODEL:	DETECTOR SWITCHS
PART NO:	DDU-1619
UNIT :mm	SCALE:1:1
REV:	A