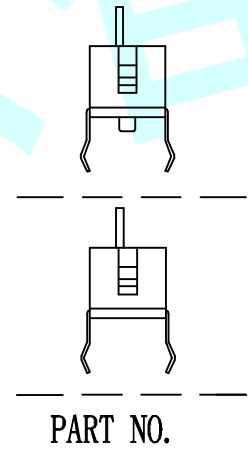
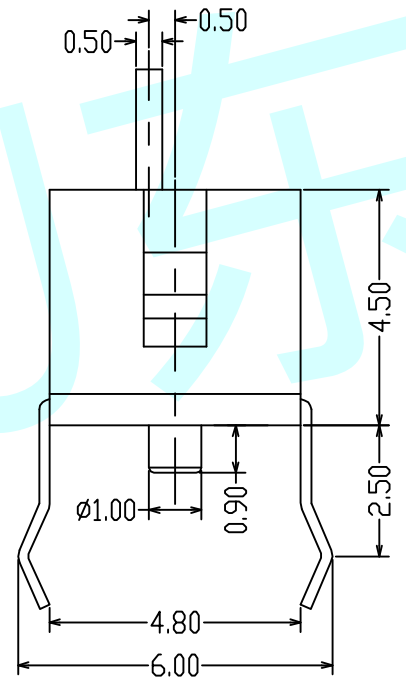
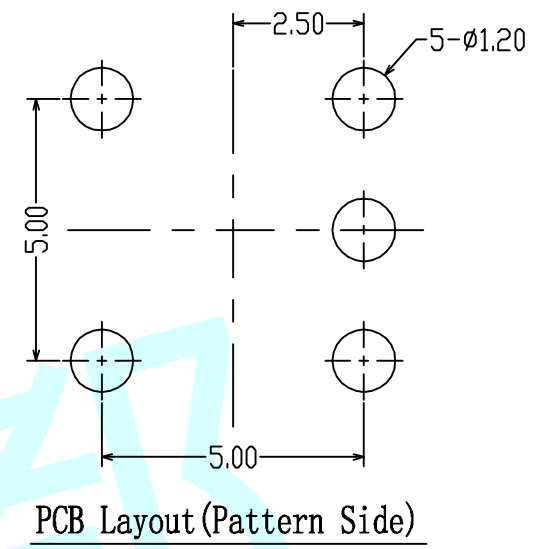
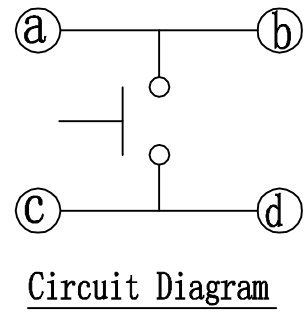
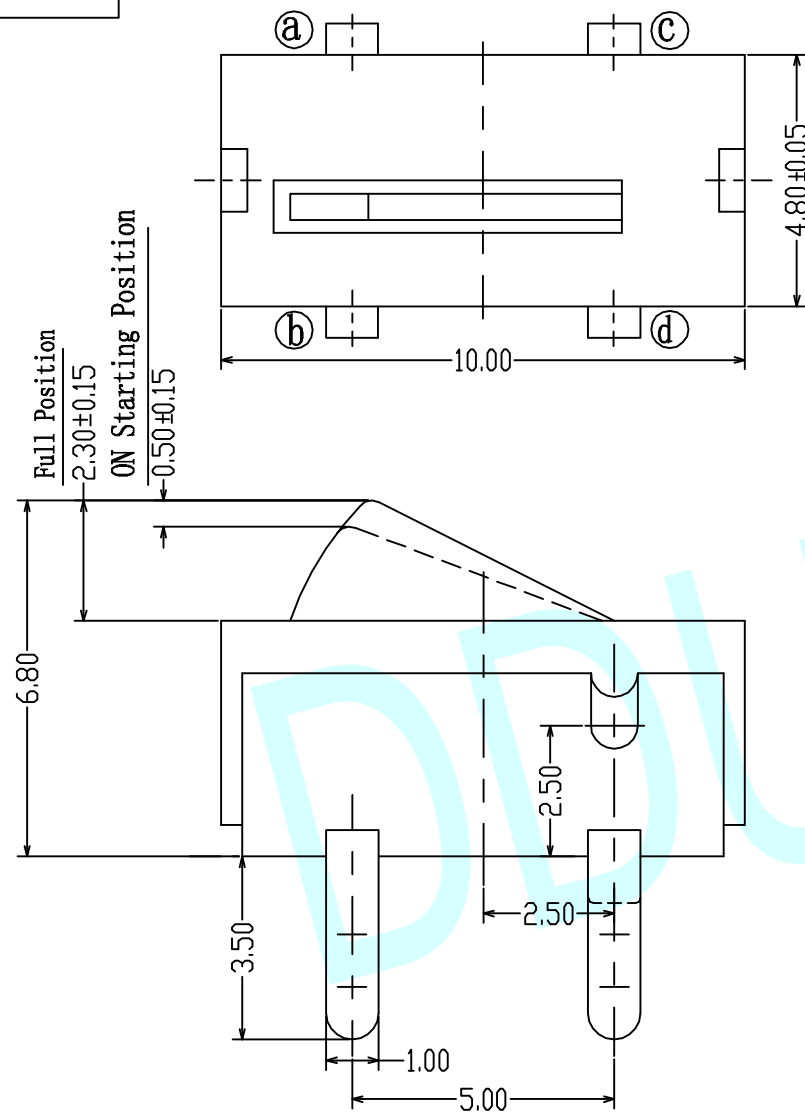


**ROHS**



- NOTES:**
1. Rating :DC 30V 0.1A
  2. Operating Force:30±10gf
  3. Life time :50,000 Cycles

APPROVALS		DATE	http://www.dongdudz.com	
DRAW:	ZRD	2017-12-6	TOLERANCE:	ANGLE:
CHECKED:	***	****	30≥ ±0.30	±2°
APPOVALS:	***	****	10°30 ±0.20	
			5°10 ±0.15	
			≤5 ±0.10	
		<b>® 东都电子</b> DONGDU ELECTRONICS		
MODEL:	DETECTOR SWITCHS			
PART NO:	DDU-1626			
UNIT :mm	SCALE:1:1			
REV:	A	PAGE:1/2		