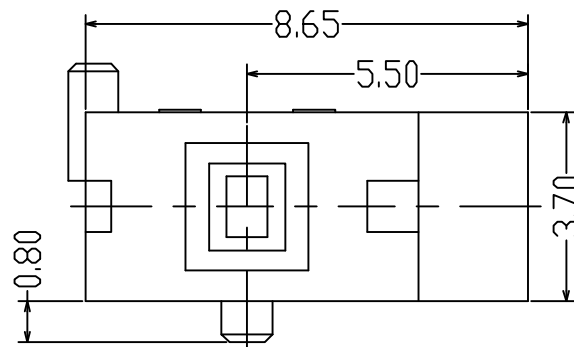
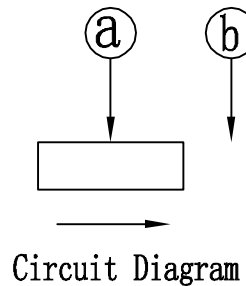
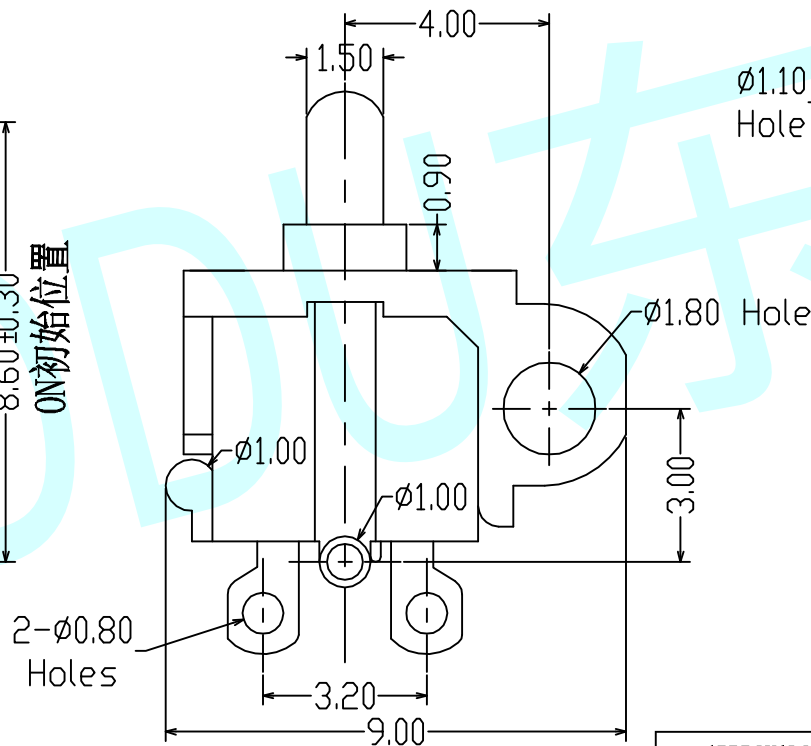
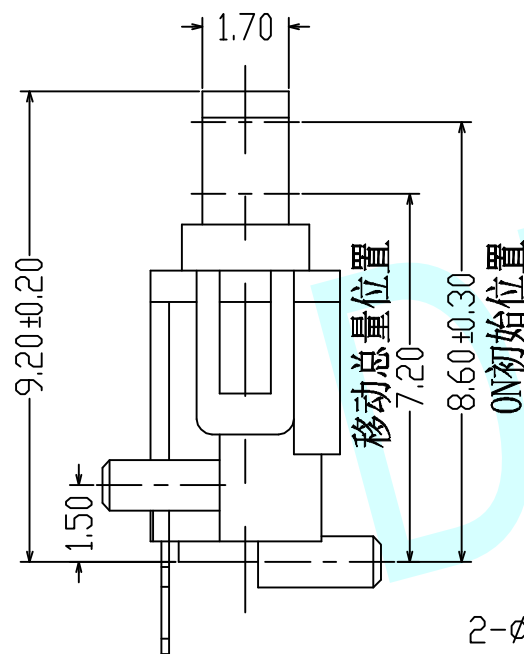
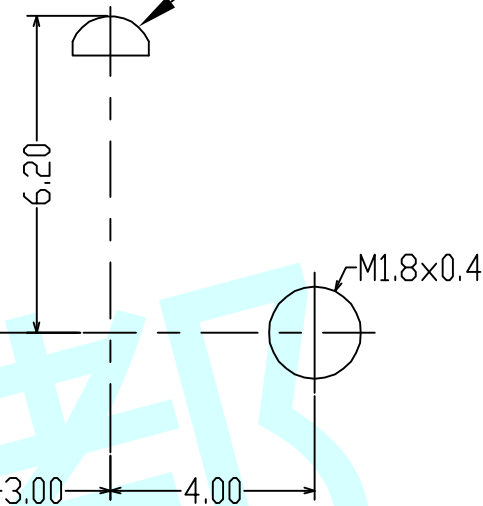


ROHS



操作位置




PCB Layout (Pattern Side)

NOTES:

1. Rating:DC 30V 0.1A
2. Operating Force:50±10gf
3. Life time:100,000 Cycles

APPROVALS		DATE	http://www.dongdudz.com	
DRAW:	ZRD	2017-12-6	TOLERANCE:	ANGLE:
CHECKED:	***	****	30°	±0.30
APPOVALS:	***	****	10°30'	±0.20
			5°10'	±0.15
			≤5	±0.10

 东都电子 DONGDU ELECTRONICS	
MODEL:	DETECTOR SWITCHS
PART NO:	DDU-1646
UNIT :mm	SCALE:1:1
REV:	A