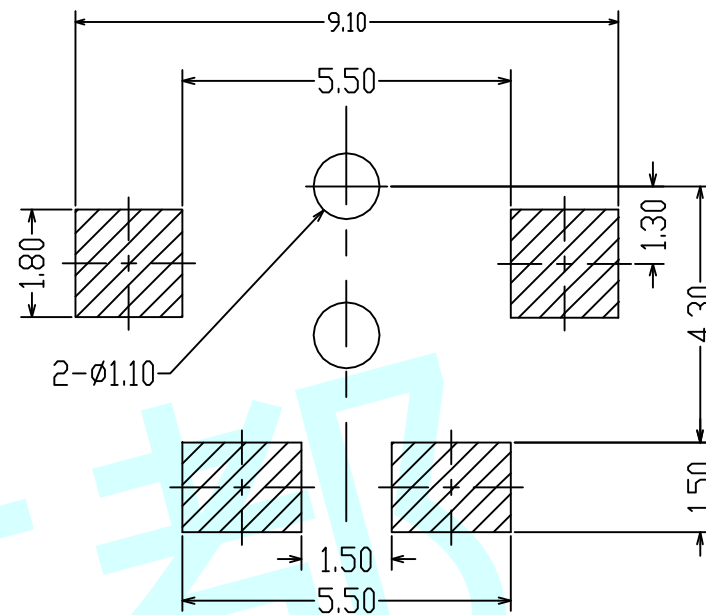
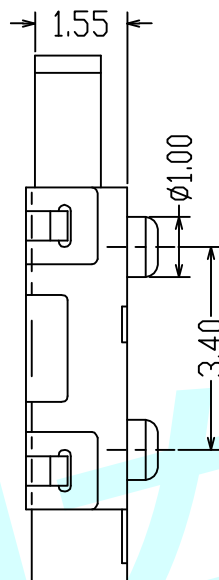
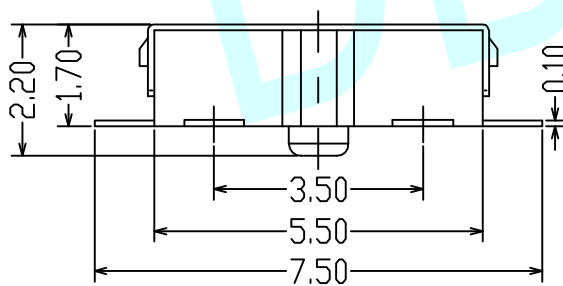
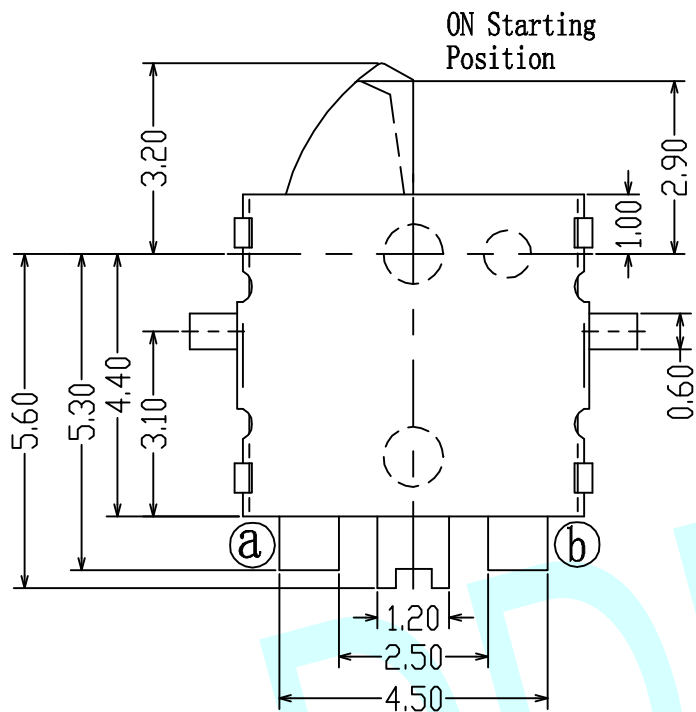


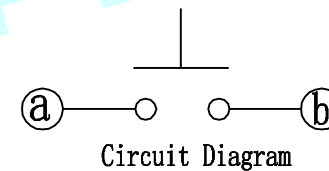
ROHS


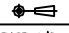


PCB Layout (Pattern Side)

NOTES:

1. Rating: DC 30V 0.1A
2. Operating Force: 20 ± 10 gf
3. Life time: 50,000 Cycles



APPROVALS		DATE	http://www.dongdudz.com		 东都电子 DONGDU ELECTRONICS	
DRAW:	ZRD	2017-12-6	TOLERANCE:	ANGLE:		
CHECKED:	***	****	30 \geq	± 0.30		$\pm 2^\circ$
APPOVALS:	***	****	10 $^{\circ}$ 30	± 0.20		
			5 $^{\circ}$ 10	± 0.15		
			≤ 5	± 0.10		
MODEL:	DETECTOR SWITCHES					
PART NO:	DDU-1642					
UNIT :mm	SCALE: 1:1					
REV:	A	PAGE: 1/2				