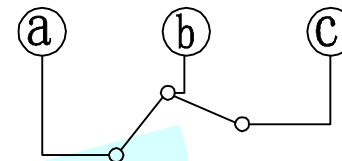
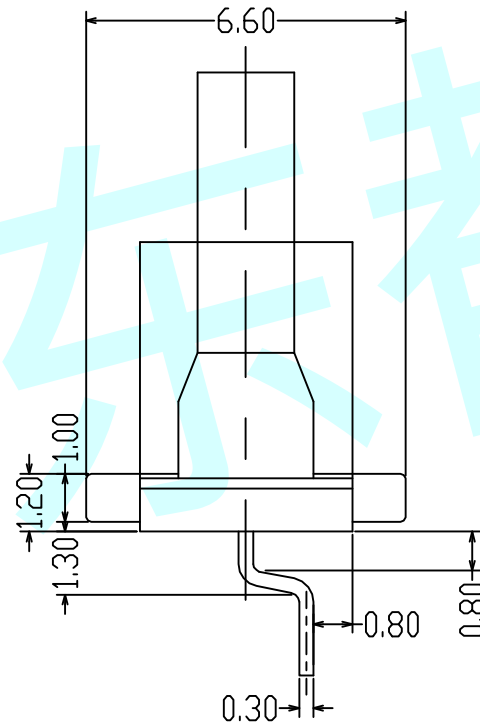
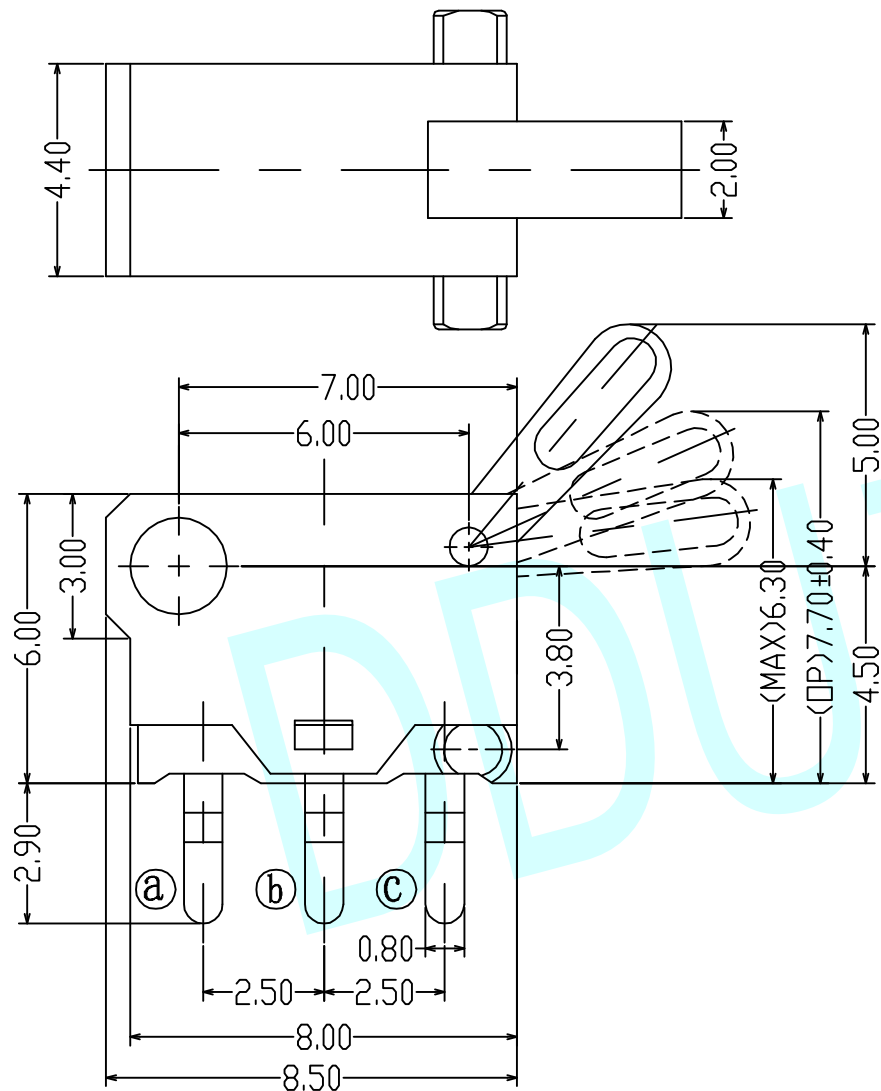



ROHS



Circuit Diagram

NOTES:

1. Rating:DC 30V 0.1A
2. Operating Force:60±15gf
3. Life time:100,000 Cycles

APPROVALS		DATE	http://www.dongdudz.com		 东都电子 DONGDU ELECTRONICS
DRAW:	ZRD	2017-12-6	TOLERANCE:	ANGLE:	
CHECKED:	***	****	30° ≥ ±0.30	±2°	MODEL: DETECTOR SWITCHES
APPOVALS:	***	****	10°~30 ±0.20		PART NO: DDU-1648
			5°~10 ±0.15		UNIT :mm SCALE:1:1
			≤5 ±0.10		REV: A PAGE:1/2