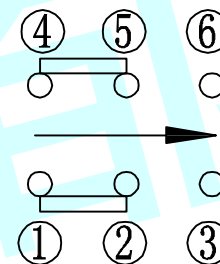
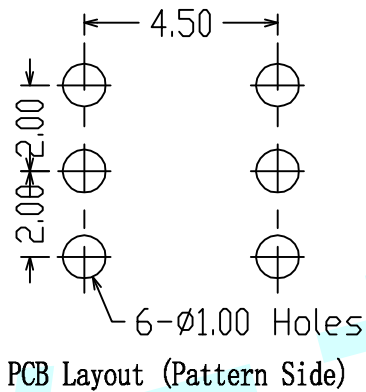
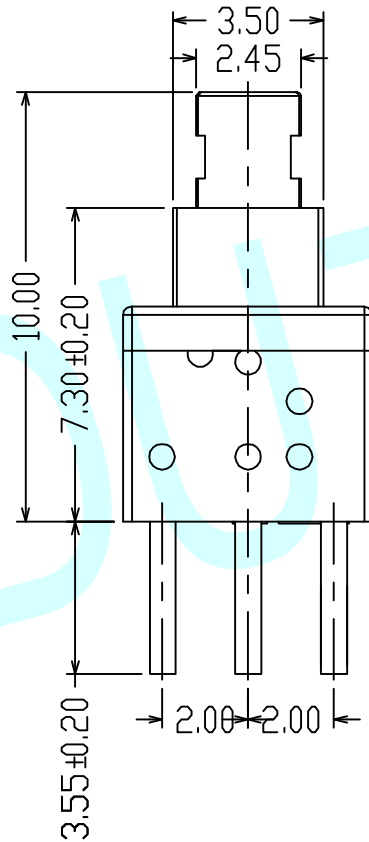
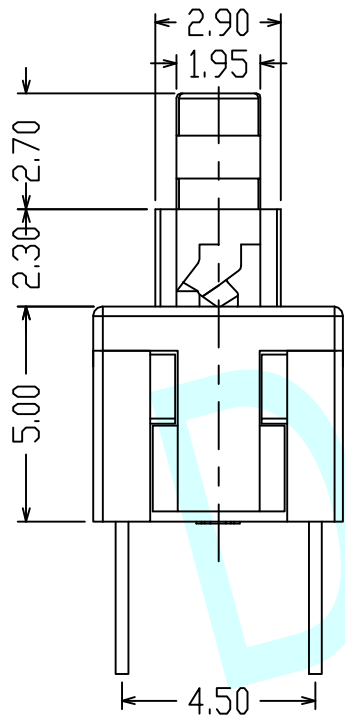
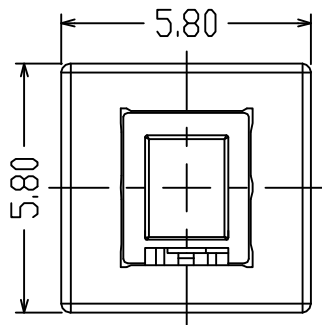
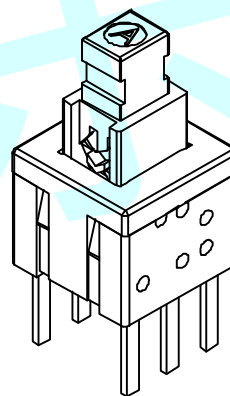


ROHS

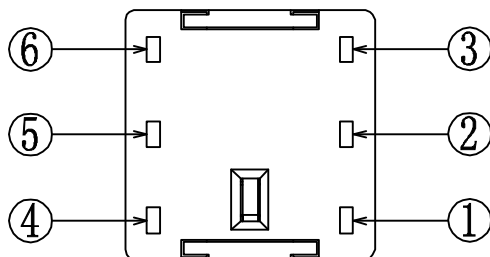



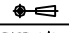
Circuit Diagram



NOTES:

- 1. Operating Force : 180gf ± 50gf
- 2. Travel : 2.00 ± 0.20mm



APPROVALS		DATE	http://www.dongdudz.com		 东都电子 DONGDU ELECTRONICS
DRAW:	ZRD	2017-12-6	TOLERANCE:	ANGLE:	
CHECKED:	***	***	30°	±0.30	
APPOVALS:	***	***	10°30'	±0.20	
			5°10'	±0.15	
			≤5	±0.10	±2°
MODL:	PUSHBUTTON SWITCHES		UNIT : mm	SCALE: 1:1	
PART NO:	DDU-1305		REV:	A	PAGE: 1/1