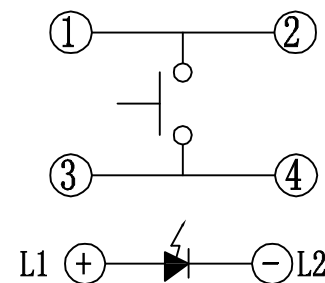
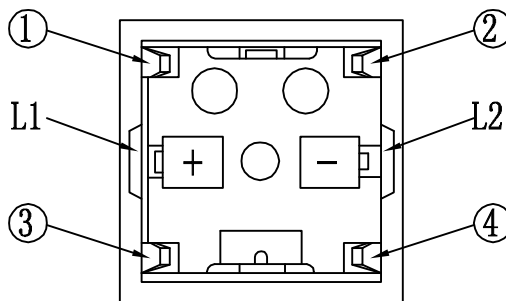
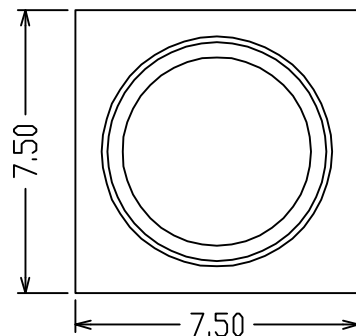
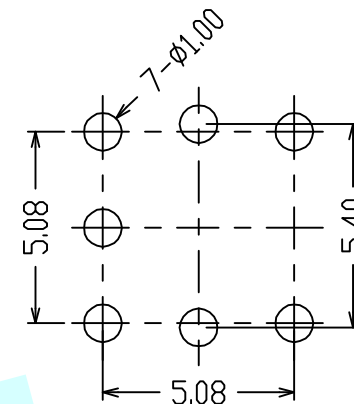


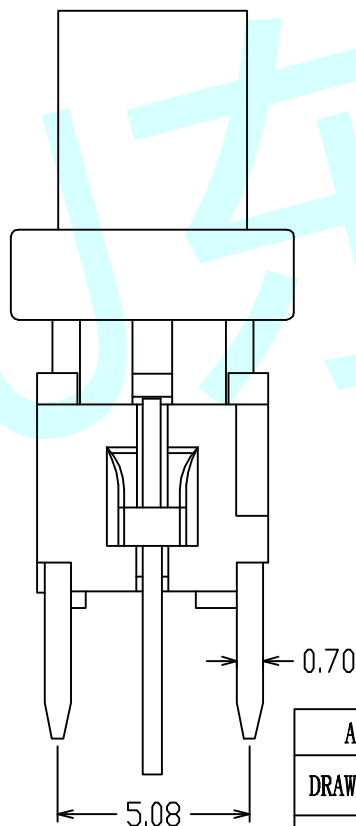
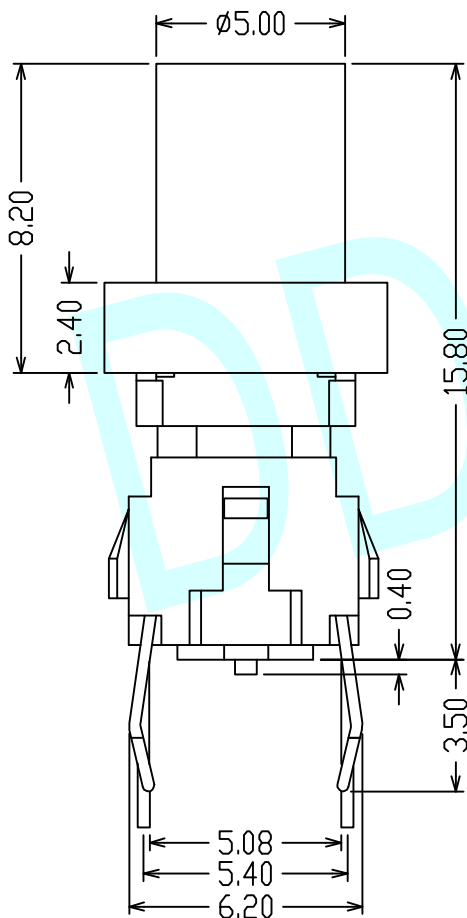
ROHS



Circuit Diagram




PCB Layout (Pattern Side)



NOTES:

1. Rating: 12V DC 50mA
2. Contact Resistance: 100mΩ Max
3. Insulation Resistance: 100MΩ 250V DC FOR 1MIN
4. Dielectric Strength: 250V AC (50/60Hz) FOR 1MIN
5. Life Test: 100,000 Cycles
6. Operation Force: 160±50gf/250±50gf
7. Travel: 0.25±0.10mm
8. Operating temperature range: -20°C~+70°C

APPROVALS		DATE	http://www.dongdudz.com		LED Colour (LED颜色)	Whiler (白色)	Red (红色)	Blue (蓝色)	Green (绿色)
DRAW:	ZRD	2017-12-6	TOLERANCE:	ANGLE:	±2°	±0.30	±0.20	±0.15	±0.10
CHECKED:	***	****	30≥	10°30					
APPOVALS:	***	****	5°10	≤5					
					 东都电子 DONGDU ELECTRONICS				
					MODBL: LED Tact Switch PART NO: DDU-1527 UNIT :mm SCALE: 1:1 REV: A PAGE: 1/1				