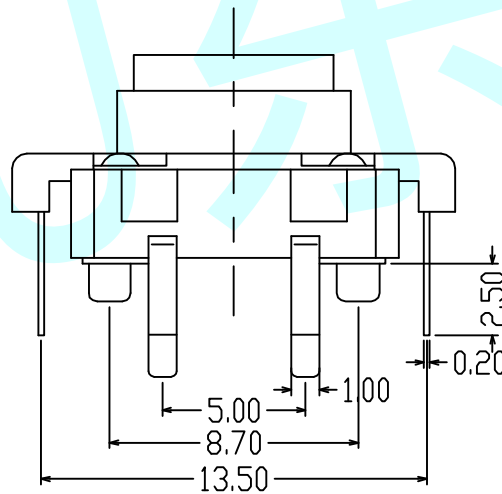
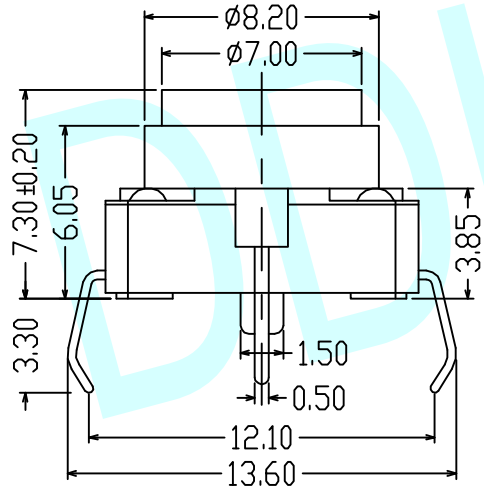
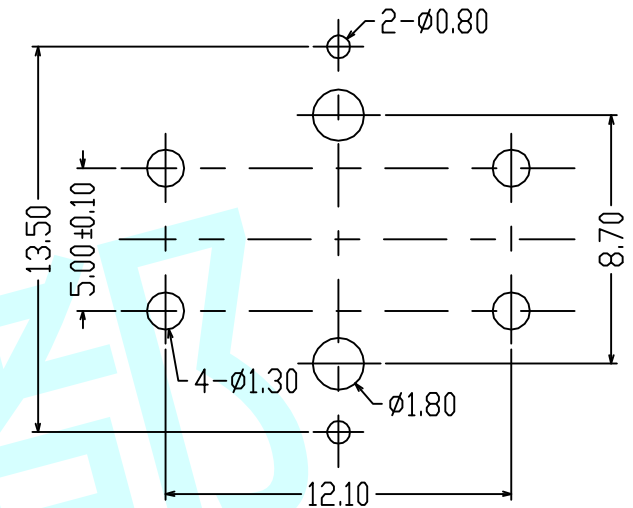
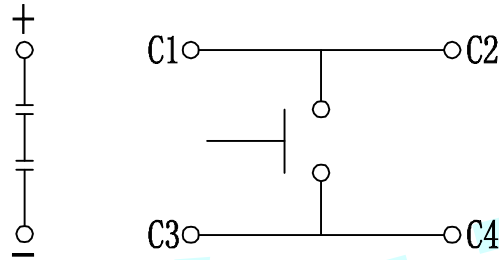
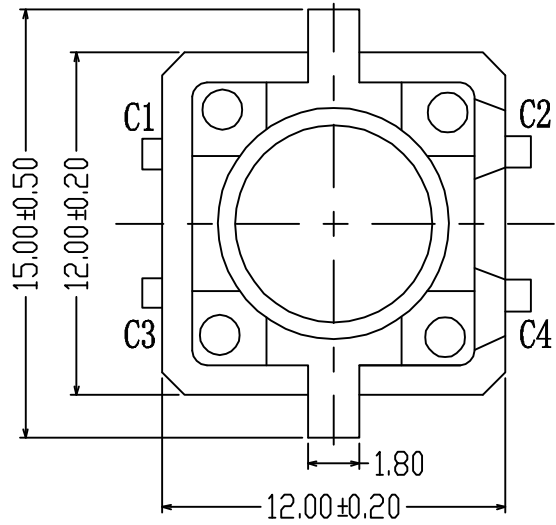


**ROHS**



**NOTES:**

1. Rating :DC 12V 50mA
2. Contact Resistance :100mΩ Max
3. Operating Force:250±10gf
4. Life time :200,000 Cycles Min

APPROVALS		DATE	http://www.dongdudz.com	
DRAW:	ZRD	2017-12-6	TOLERANCE:	ANGLE:
CHECKED:	***	****	30°	±0.30
APPOVALS:	***	****	10°30	±0.20
			5°10	±0.15
			≤5	±0.10
			±2°	
			<b>东都电子</b> DONGDU ELECTRONICS	
MODBL:		LED Tact Switch		
PART NO:		DDU-1544		
UNIT :mm	SCALE:1:1			
REV:	A	PAGE:1/1		

LED Colour (LED颜色)    Whiler(白色)    Red(红色)    Blue(蓝色)    Green(绿色)