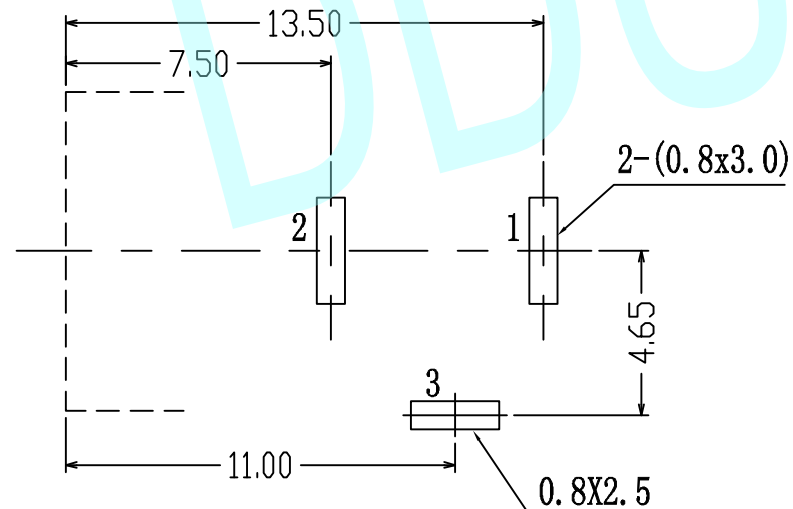
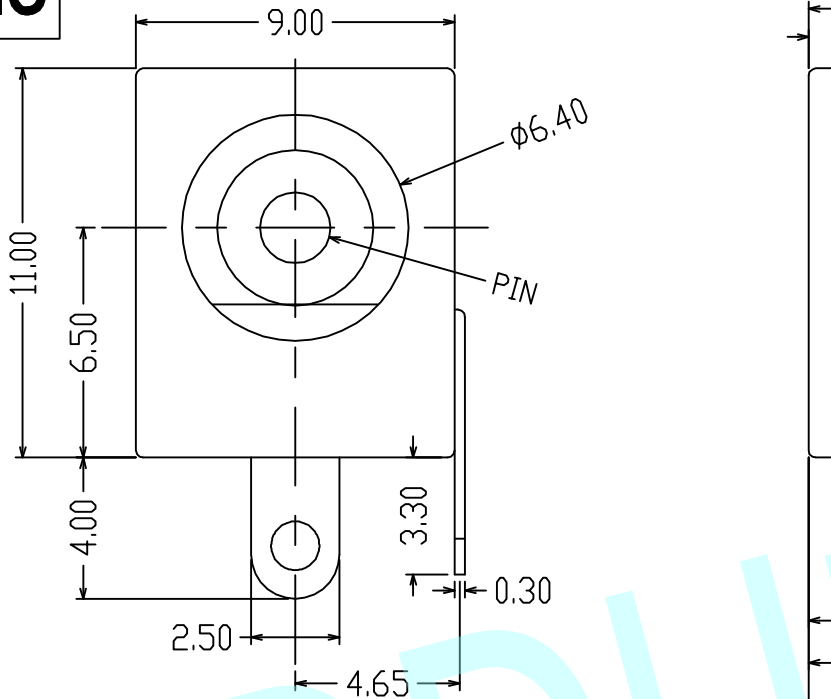
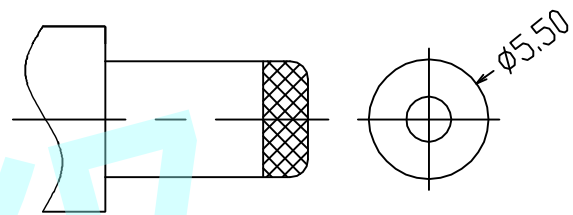
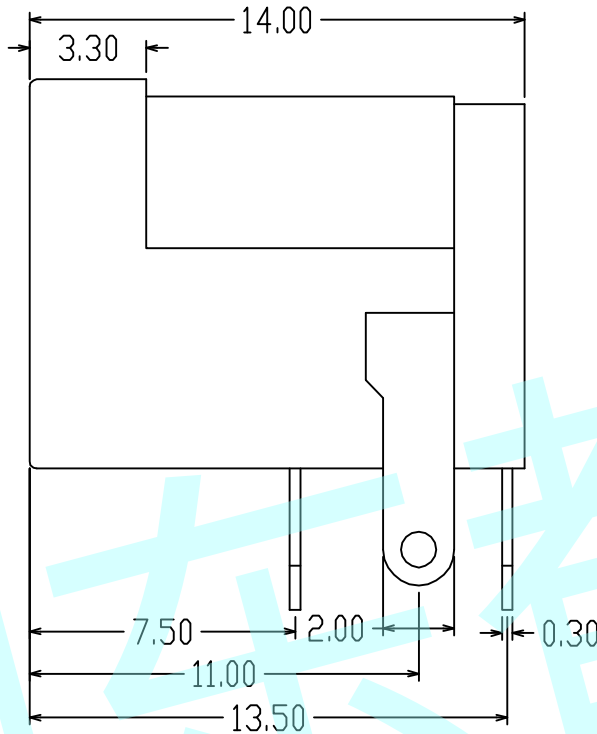


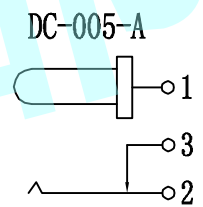
ROHS



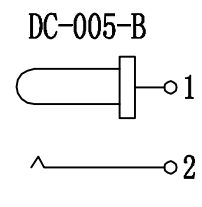
PCB Layout (Copper-Side View)



DC MATE PLUG




CIRCUIT DIAGRAM



CIRCUIT DIAGRAM

NOTES:

1. Rating:DC 0.5A 30V
2. Contact Resistance:100mΩ Max
3. Operating temperature:-20℃~70℃
4. Operating force:3-20N
5. Operating Life:5,000cycles

		PIN	∅2.00	∅2.35	∅2.50
APPROVALS		DATE	http://www.dongdudz.com		
DRAW:	ZRD	2017-12-6	TOLERANCE:		ANGLE:
CHECKED:	***	***	30≥	±0.30	±2°
APPOVALS:	***	***	10~30	±0.20	
			5~10	±0.15	
			≤5	±0.10	
				 东都电子 DONGDU ELECTRONICS	
		MODEL:		DC POWER JACK	
		PART NO:		DC-005	
		UNIT :mm		SCALE:1:1	
		REV:		A	
				PAGE:1/1	