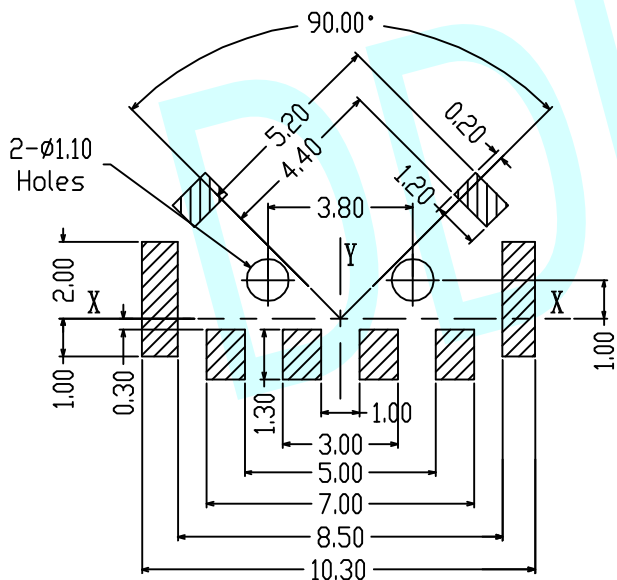
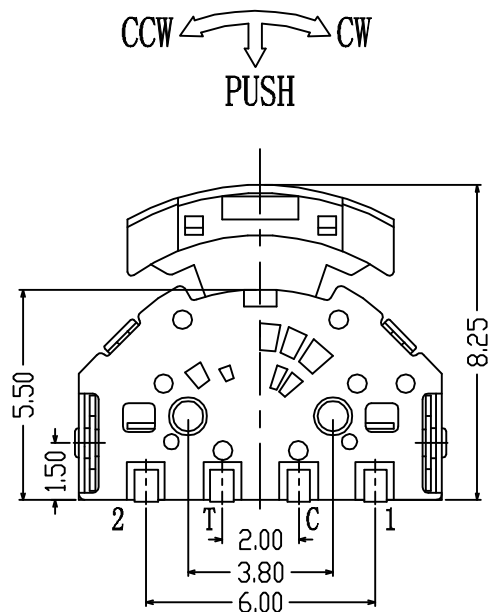
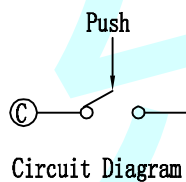
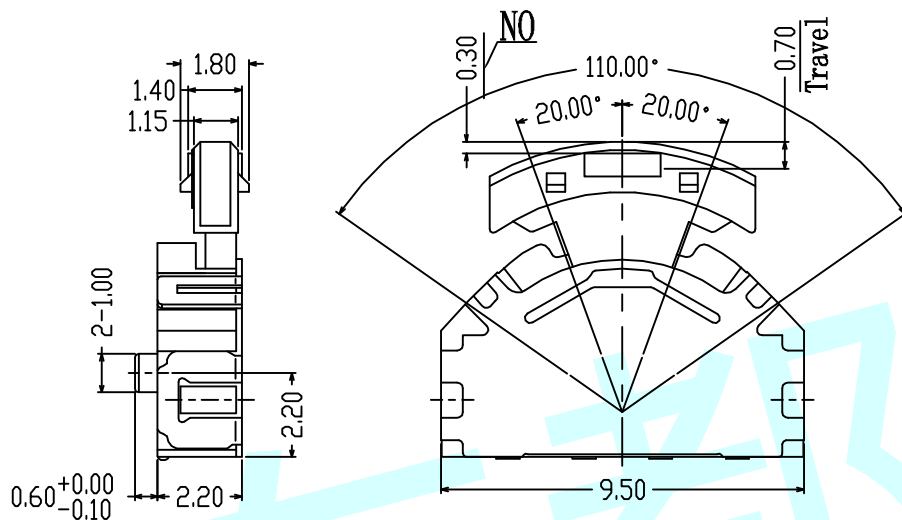


**ROHS**



**PCB Mounting  
Pattern Dimension**



**Circuit Diagram**

TER <sup>o</sup>	ANG. (20°)	(15°)	(15°)	(20°)
①				
②				
③				

CCW ← → CW

**CODE TABLE**

**NOTES:**

1. Rating: DC 12V 100mA
2. Contact resistance: 100mΩ MAX
3. Insulation resistance: 100MΩ MIN
4. Service life: 100,000 cycles
5. Operating temperature: -25 °C ~ +85 °C
6. Using humidity: ≤ 85% RH
7. Operating Force :
  - a. Lever Porting : 100 ± 30gf
  - b. Push Portion : 205 ± 50gf

APPROVALS		DATE	http://www.dongdudz.com	
DRAW:	ZRD	2017-12-6	TOLERANCE:	ANGLE:
CHECKED:	***	****	30 ≥ ± 0.30	± 2°
APPOVALS:	***	****	10° 30 ± 0.20	
			5° 10 ± 0.15	
			≤ 5 ± 0.10	



MODEL:	ROCKER SWITCH	
PART NO:	DDU-1215	
UNIT :mm	SCALE: 1:1	
REV:	A	PAGE: 1/1