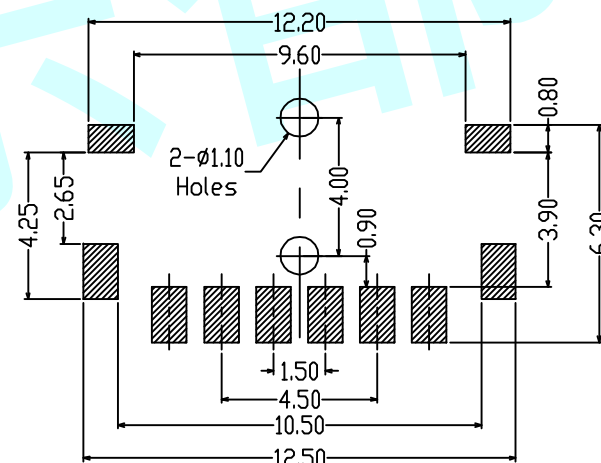
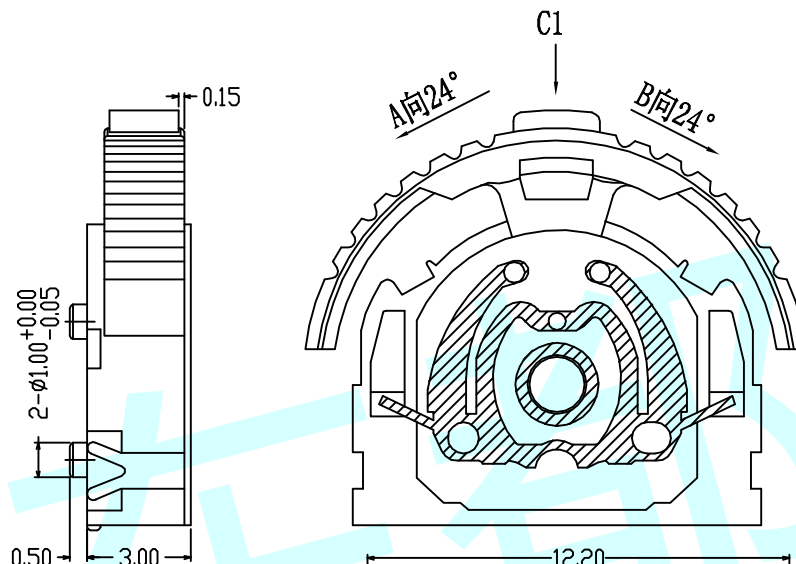
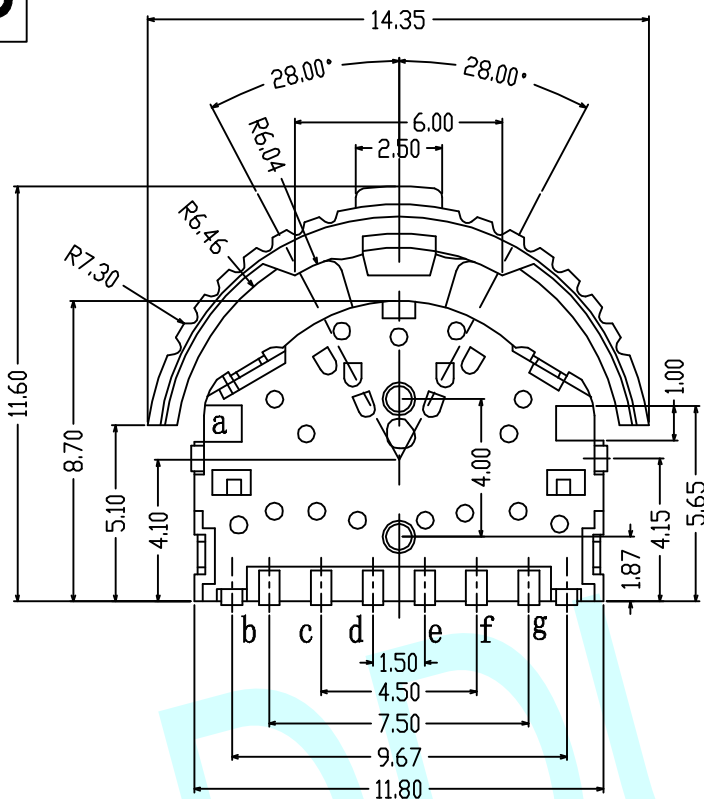


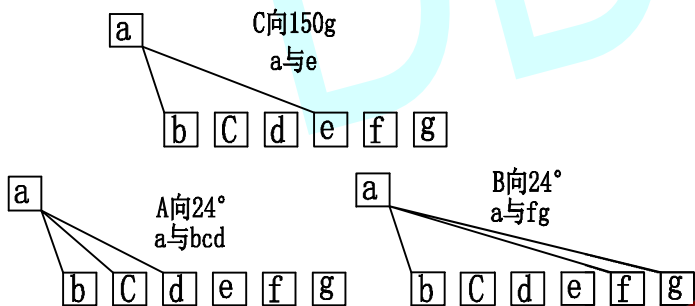
ROHS




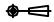
PCB Mounting
Pattern Dimension

NOTES:

1. Rating:DC 5V 10mA
2. Contact resistance: 100MΩ MAX
3. Insulation resistance: 100MΩ MIN
4. Service life:100,000 cycles
5. Operating temperature: -25°C~+85°C
6. Using humidity: ≤85% RH
7. Operating Force :
 a. Lever Porting :70±40gf
 b. Push Portion :200±40gf



Circuit Diagram

APPROVALS		DATE	http://www.dongdudz.com	
DRAW:	ZRD	2017-12-6	TOLERANCE:	ANGLE:
CHECKED:	***	****	30≥ ±0.30	±2°
APPOVALS:	***	****	10~30 ±0.20	
			5~10 ±0.15	
			≤5 ±0.10	
 东都电子 DONGDU ELECTRONICS		MODBL:	ROCKER SWITCH	
		PART NO:	DDU-1229	
		UNIT :mm	SCALE:1:1	
		REV:	A	PAGE:1/1