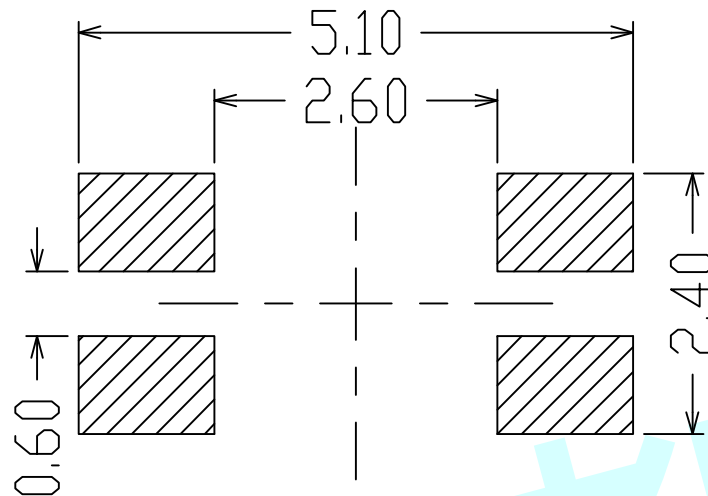
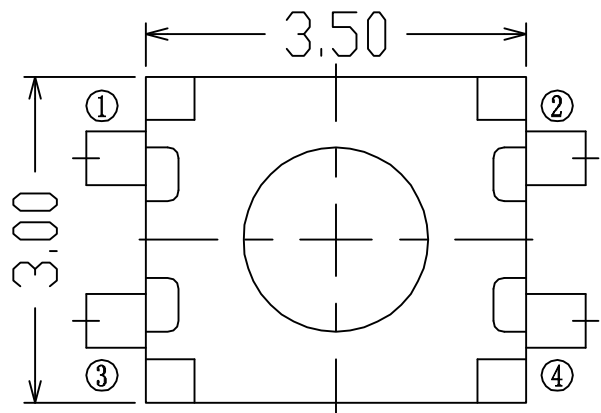
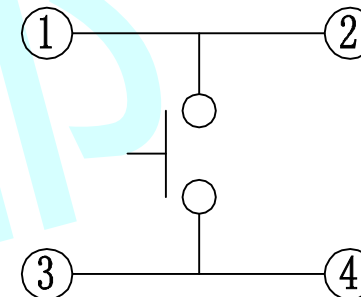
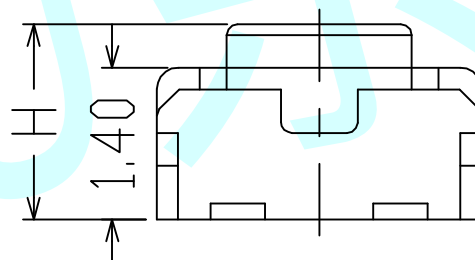
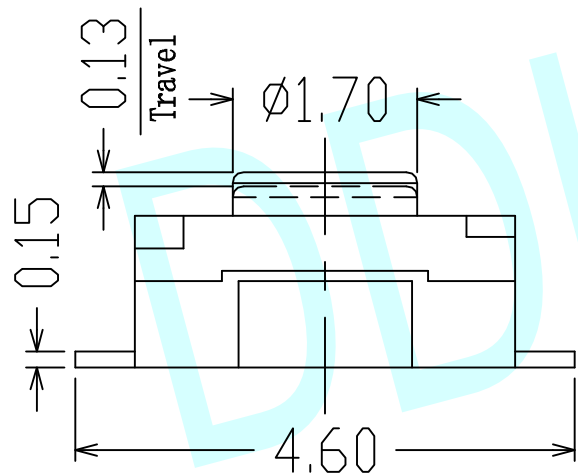


ROHS



PCB Layout (Pattern Side)



Circuit Diagram

NOTES :

1. Rating :DC 12V 50mA.
2. Contact resistance: $\leq 100m\Omega$
3. Insulation resistance: $\geq 100M\Omega$
4. Travel: $0.13 \pm 0.10mm$

H	1.80	1.87	1.92	2.00	2.50
Stergth		90 \pm 30	180 \pm 30	250 \pm 30	

APPROVALS		DATE	http://www.dongdudz.com		
DRAW:	ZRD	2017-12-6	TOLERANCE:		ANGLE:
CHECKED:	***	****	30 \geq	± 0.30	$\pm 2^\circ$
APPOVALS:	***	****	10 \sim 30	± 0.20	
			5 \sim 10	± 0.15	
			≤ 5	± 0.10	
MODBL:		TACT SWITCHS			
PART NO:		DDU-1103S(无定位)			
UNIT :mm	SCALE: 1:1				
REV:	A	PAGE: 1/1			



东都电子
DONGDU ELECTRONICS