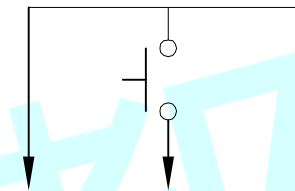
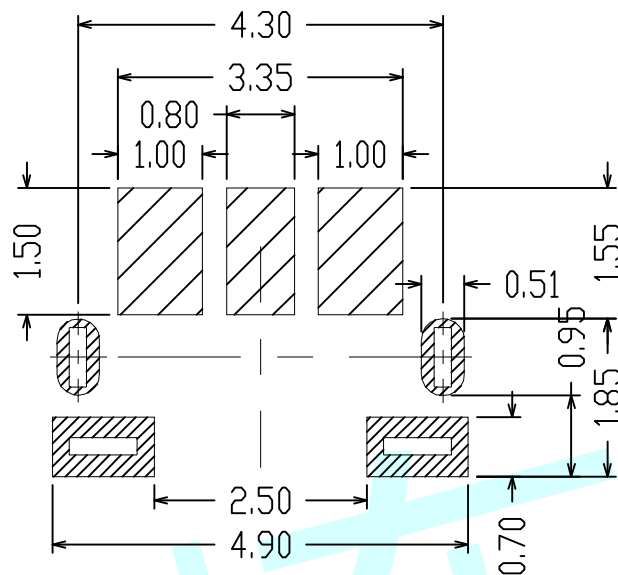
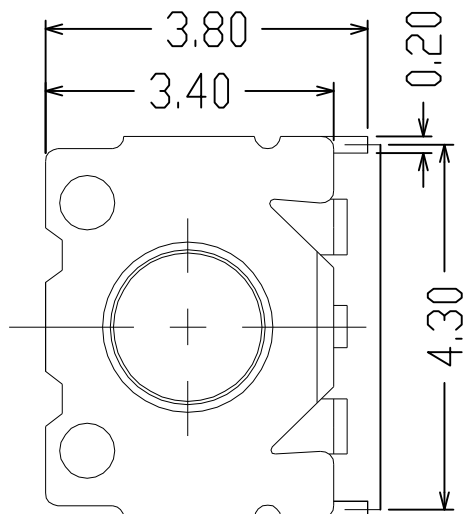


ROHS

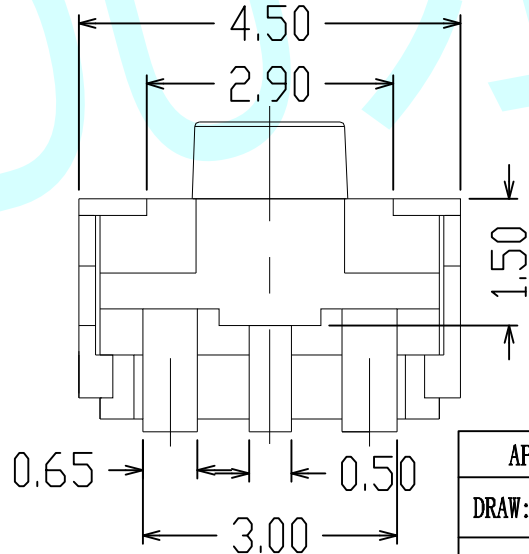
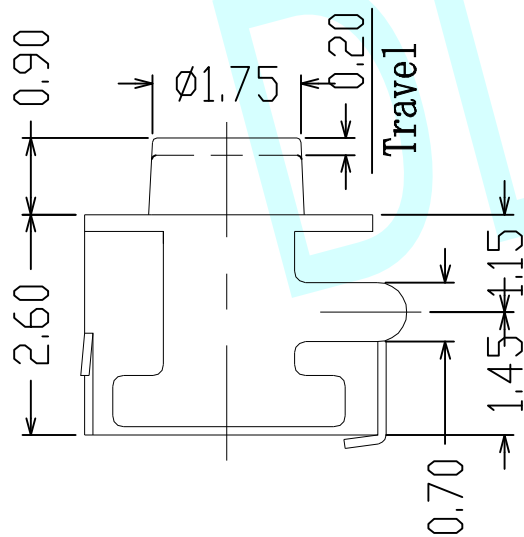


Circuit Diagram


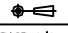
PCB Layout (Pattern Side)

NOTES :

1. Rating :DC 12V 50mA.
2. Contact resistance: $\leq 50m\Omega$
3. Insulation resistance: $\geq 100M\Omega$
4. Travel: $0.20 \pm 0.10mm$



Stergth	90±30	130±30	180±30	250±30	350±50
---------	-------	--------	--------	--------	--------

APPROVALS		DATE	http://www.dongdudz.com		
DRAW:	ZRD	2017-12-6	TOLERANCE:	ANGLE:	
CHECKED:	***	****	30°	±0.30	±2°
APPOVALS:	***	****	10°30	±0.20	
			5°10	±0.15	
			≤5	±0.10	
			 ® 东都电子 DONGDU ELECTRONICS		
MODEL:		TACT SWITCHES			
PART NO:		DDU-1106A			
UNIT :mm	SCALE:1:1				
REV:	A	PAGE:1/1			