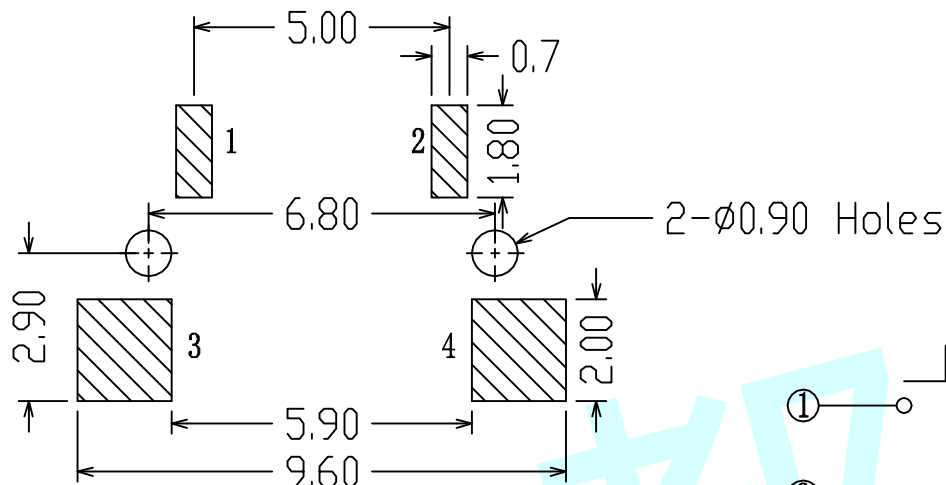
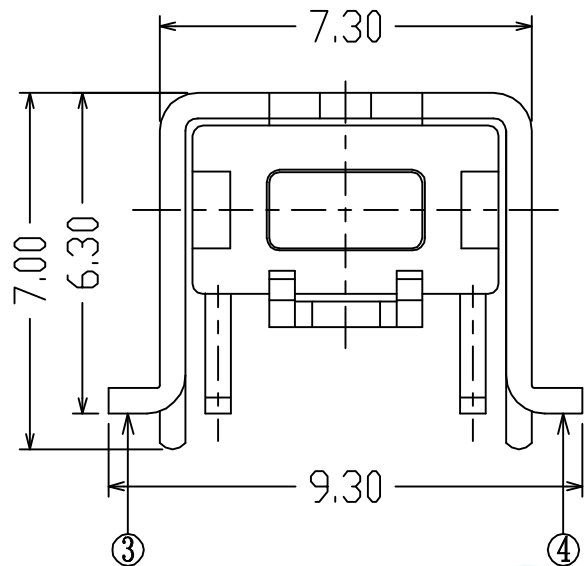
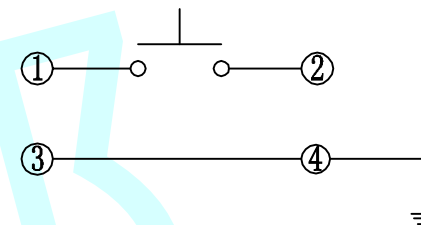


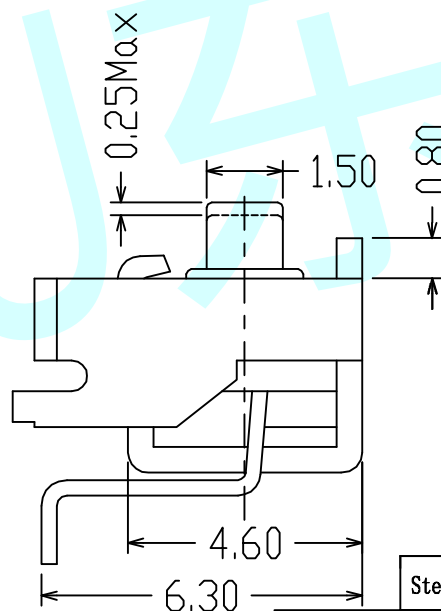
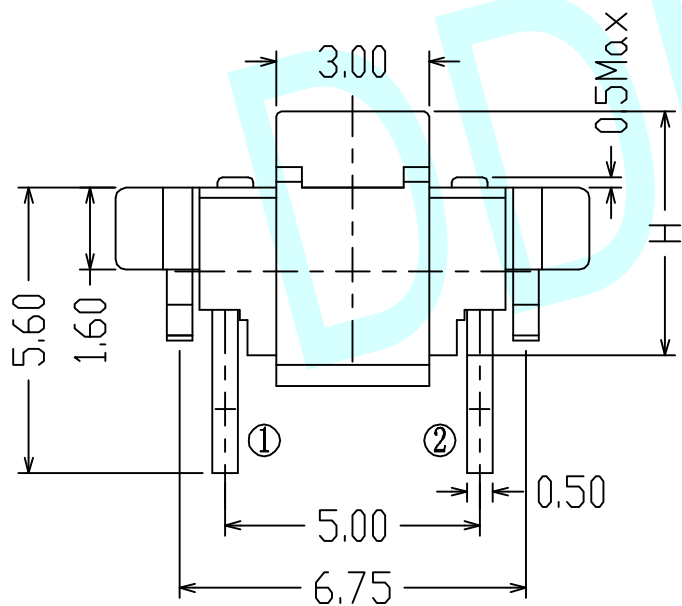
ROHS



PCB Layout (Pattern Side)



Circuit Diagram



NOTES :

1. Rating :DC 12V 50mA
2. Contact resistance: $\leq 50m\Omega$
3. Insulation resistance: $\geq 100M\Omega$
4. Travel: $0.25 \pm 0.10mm$

	H	4.3	5.0
Stergth	90±30	130±30	180±30
	250±30	350±30	

APPROVALS		DATE	http://www.dongdudz.com	
DRAW:	ZRD	2017-12-6	TOLERANCE:	ANGLE:
CHECKED:	***	****	30° ≥ ±0.30	±2°
APPOVALS:	***	****	10°~30 ±0.20	
			5°~10 ±0.15	
			≤5 ±0.10	
		东都电子 DONGDU ELECTRONICS		
		MODEL:	TACT SWITCHES	
		PART NO:	DDU-1105T	
		UNIT :mm	SCALE: 1:1	
		REV:	A	PAGE: 1/1