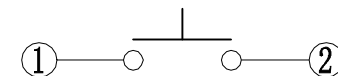
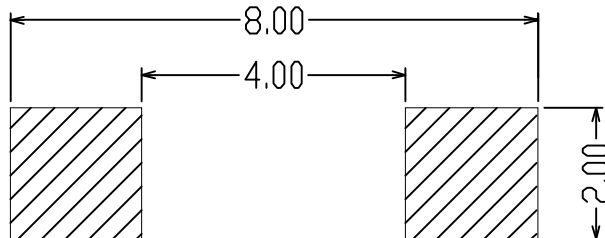
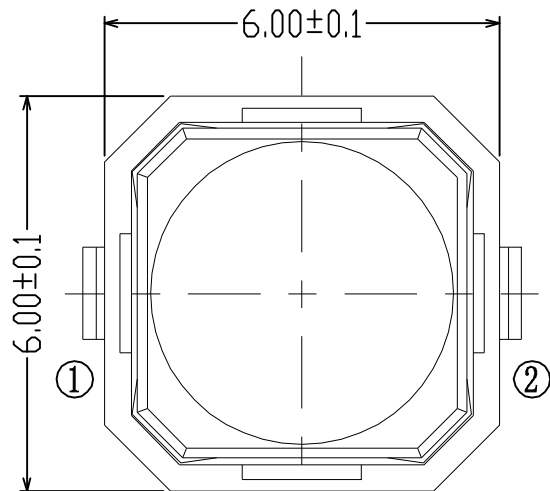
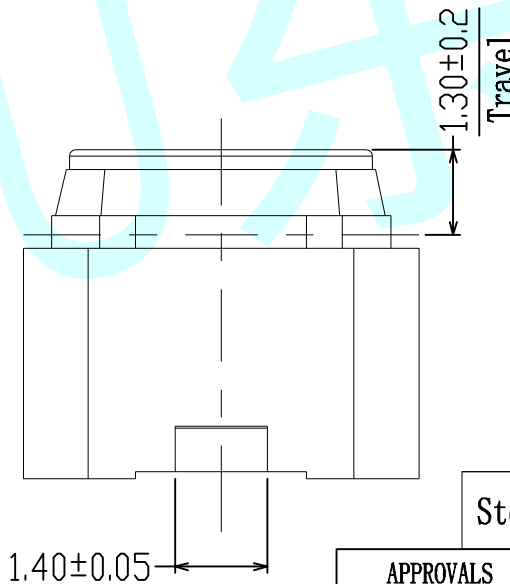
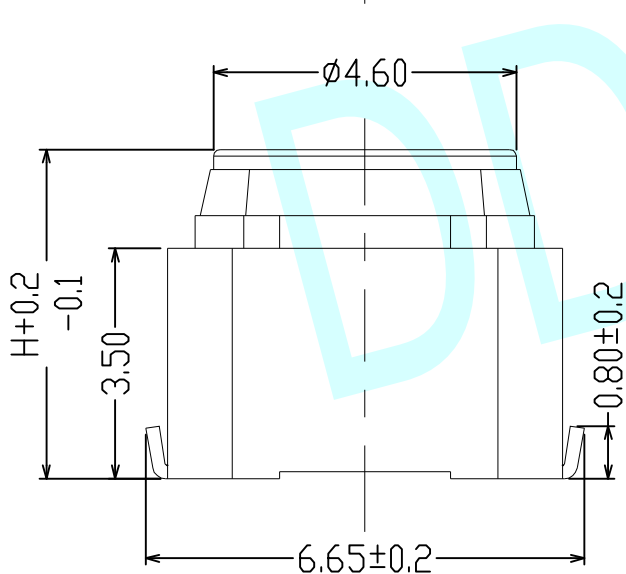


ROHS



Circuit Diagram


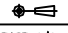
PCB Layout (Pattern Side)



NOTES :

1. Rating :DC 12V 50mA.
2. Contact resistance:  $\leq 100m\Omega$
3. Insulation resistance:  $\geq 100M\Omega$
4. Travel:  $1.30 \pm 0.20mm$

	H	4.30	5.00
Stergth	180±30	250±30	350±50

APPROVALS		DATE	http://www.dongdudz.com		 <b>® 东都电子</b> DONGDU ELECTRONICS
DRAW:	ZRD	2017-12-6	TOLERANCE:	ANGLE:	
CHECKED:	***	****	30° ≥ ±0.30	±2°	
APPOVALS:	***	****	10°30 ±0.20		
			5°10 ±0.15		
			≤5 ±0.10		MODEL: TACT SWITCHES PART NO: DDU-1107 UNIT :mm SCALE: 1:1  REV: A PAGE: 1/1