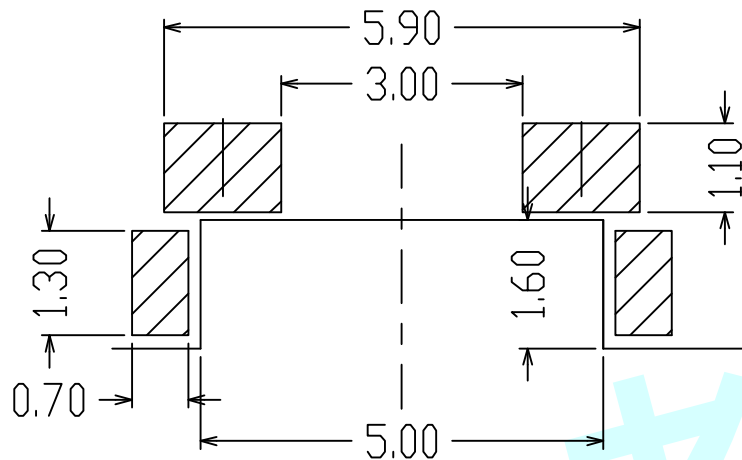
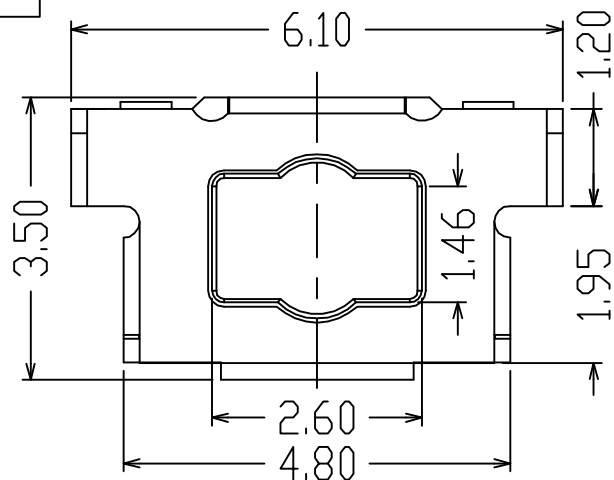
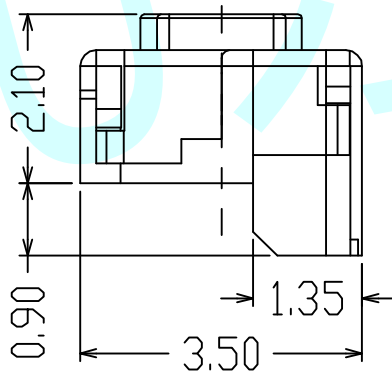
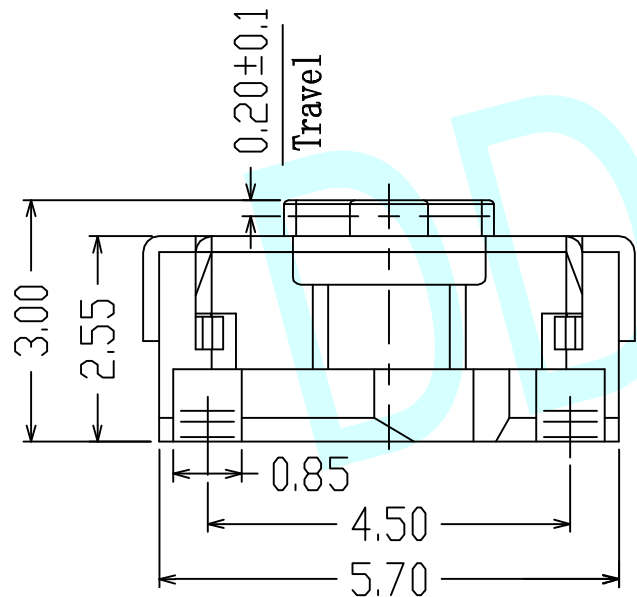
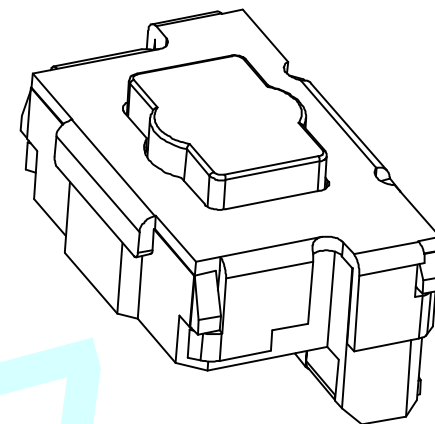


ROHS




PCB Layout (Pattern Side)



NOTES :

1. Rating :DC 12V 50mA.
2. Contact resistance: $\leq 100m\Omega$
3. Insulation resistance: $\geq 100M\Omega$
4. Travel: $0.20 \pm 0.10mm$

Stergth	180±30	250±30
---------	--------	--------

APPROVALS		DATE	http://www.dongdudz.com		 ® 东都电子 DONGDU ELECTRONICS
DRAW:	ZRD	2017-12-6	TOLERANCE:	ANGLE:	
CHECKED:	***	****	30°	±2°	
APPOVALS:	***	****	10°30		
			5°10		
			≤5	±0.10	
MODEL:	TACT SWITCHS				
PART NO:	DDU-1115M				
UNIT :mm	SCALE:1:1				
REV:	A			PAGE:1/1	