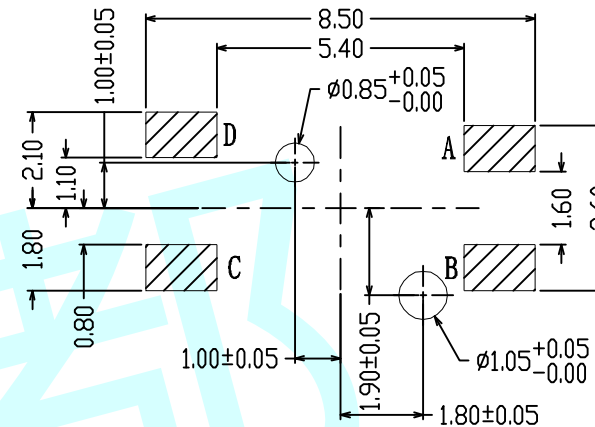
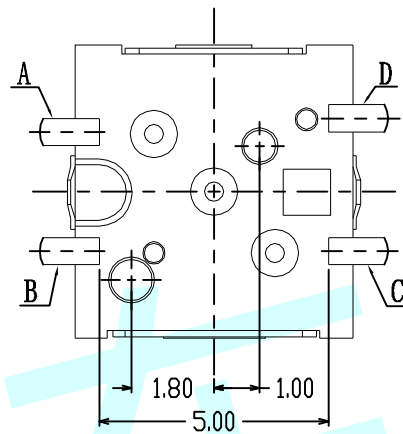
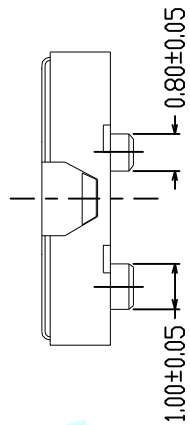
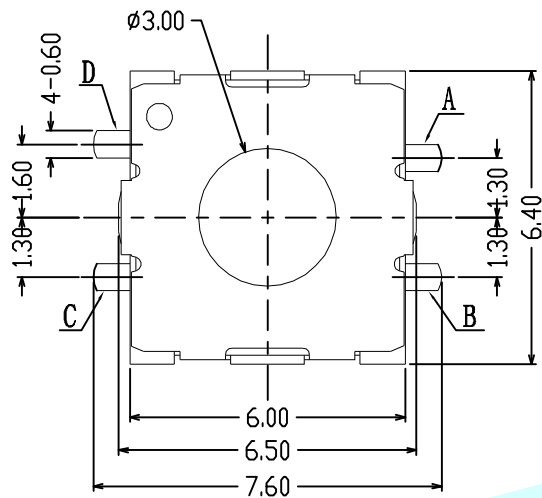
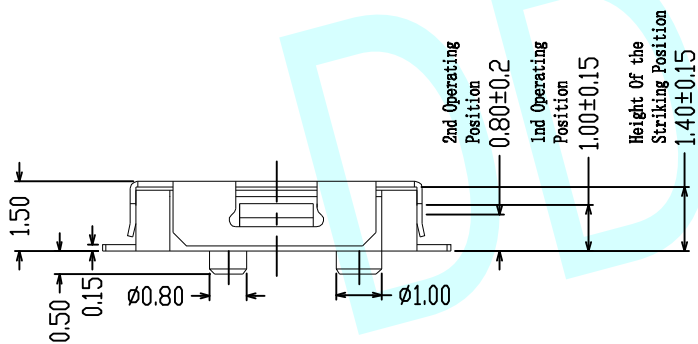


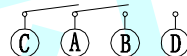
ROHS



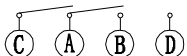
PCB Layout (Pattern Side)



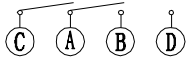
PCBoard mounting face



2nd Operating




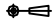
1st Operating



Circuit Diagram

NOTES :

1. Rating :DC 12V 50mA.
2. Contact resistance:  $\leq 100m\Omega$
3. Insulation resistance:  $\geq 100M\Omega$
4. Travel: 1st 1.00mm,  $100\pm 50gf$   
2st 1.80mm,  $250\pm 50gf$

APPROVALS		DATE	http://www.dongdudz.com	
DRAW:	ZRD	2017-12-6	TOLERANCE:	ANGLE:
CHECKED:	***	****	30° $\pm 0.30$	$\pm 2^\circ$
APPOVALS:	***	****	10°30' $\pm 0.20$	
			5°10' $\pm 0.15$	
			$\leq 5$ $\pm 0.10$	
			 <b>® 东都电子</b> DONGDU ELECTRONICS	
MODEL:		TACT SWITCHES		
PART NO:		DDU-1122L		
UNIT :mm	SCALE:1:1			
REV:	A	PAGE:1/1		