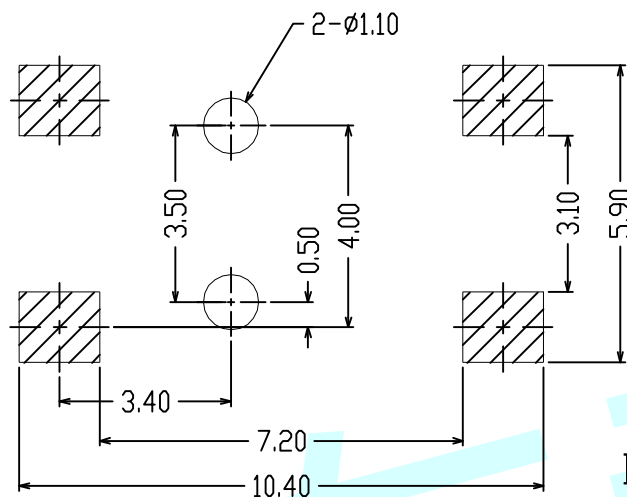
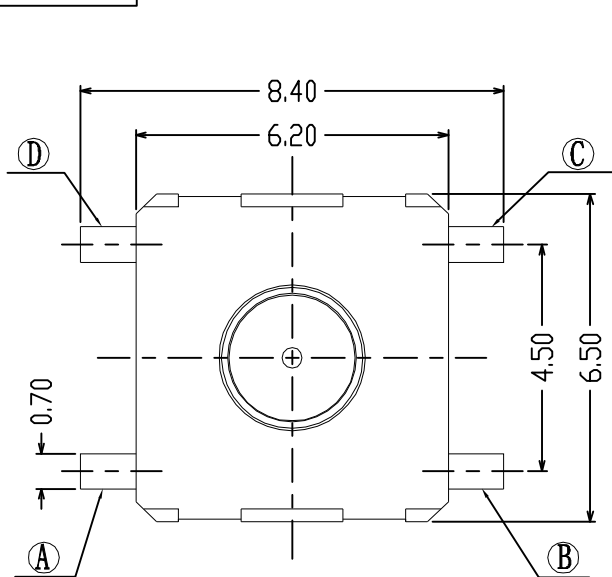
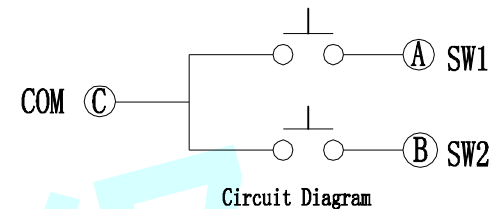


ROHS

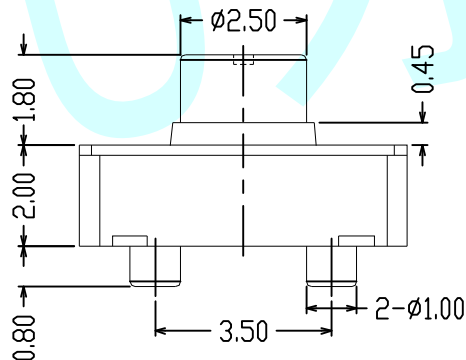
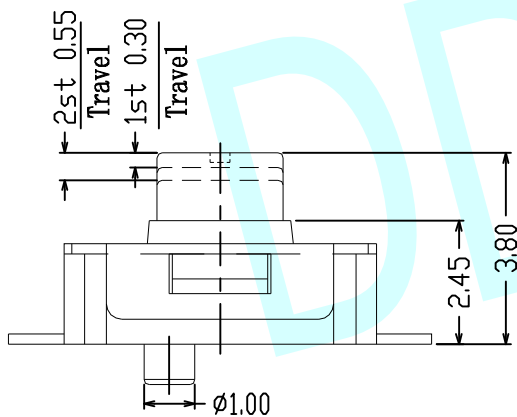




PCB Layout (Pattern Side)



NOTES :

1. Rating :DC 12V 50mA.
2. Contact resistance: $\leq 100m\Omega$
3. Insulation resistance: $\geq 100M\Omega$
4. Travel: 1st 0.30mm
2st 0.55mm



APPROVALS		DATE	http://www.dongdudz.com		 东都电子 DONGDU ELECTRONICS		
DRAW:	ZRD	2017-12-6	TOLERANCE:	ANGLE:			
CHECKED:	***	****	30° ≥ ±0.30	±2°	MODEL:	TACT SWITCHES	
APPOVALS:	***	****	10°~30 ±0.20		PART NO:	DDU-1121L	
			5°~10 ±0.15		UNIT :mm	SCALE: 1:1	
			≤5 ±0.10		REV:	A	PAGE: 1/1