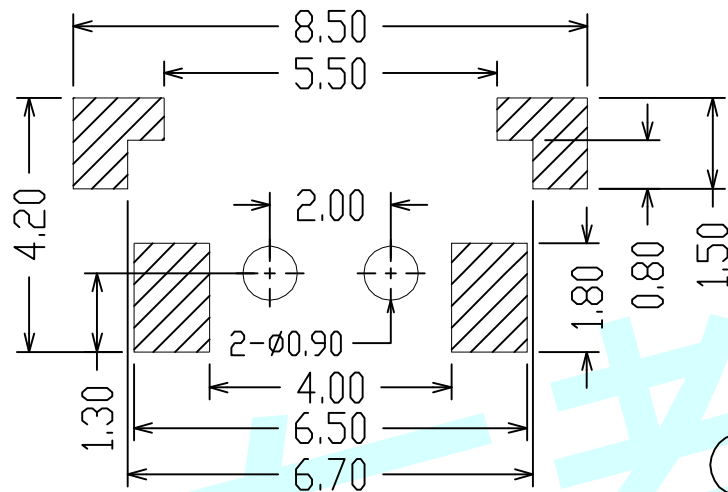
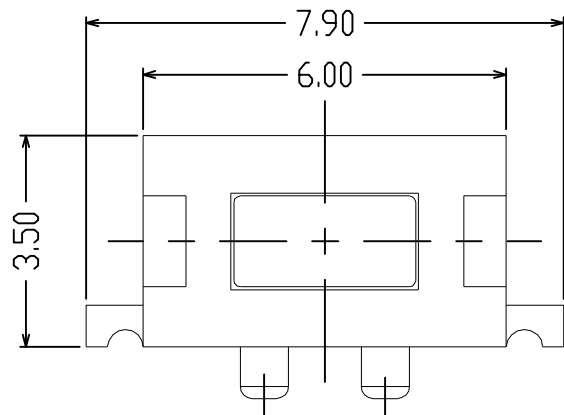
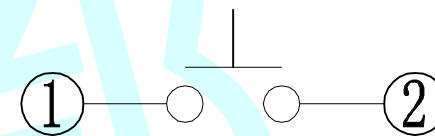


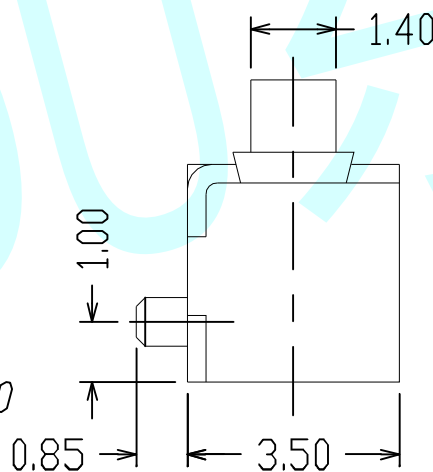
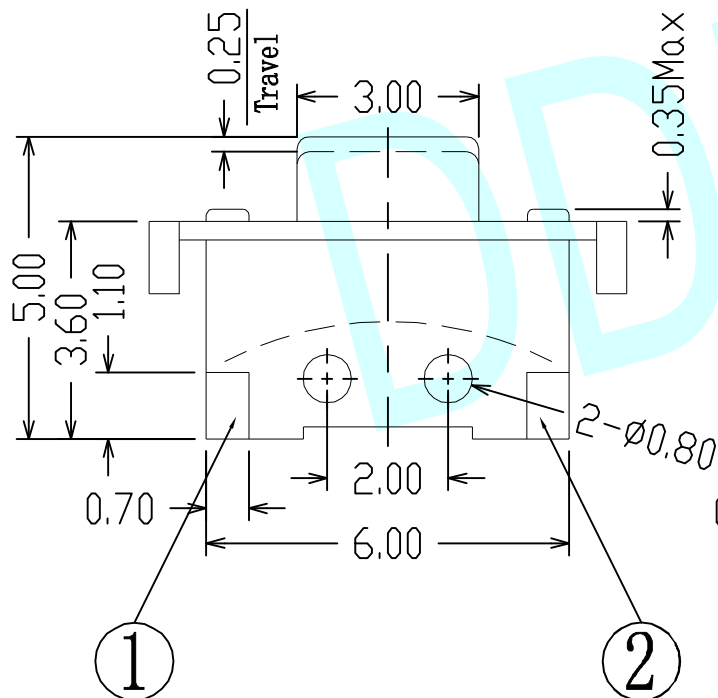
ROHS



PCB Layout Recommended




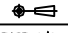
Circuit Diagram



NOTES :

1. Rating :DC 12V 50mA.
2. Contact resistance: $\leq 100m\Omega$
3. Insulation resistance: $\geq 100M\Omega$
4. Travel: $0.25 \pm 0.10mm$

Stength	90±30	130±30	180±30	250±30	350±50
---------	-------	--------	--------	--------	--------

APPROVALS		DATE	http://www.dongdudz.com		
DRAW:	ZRD	2017-12-6	TOLERANCE:	ANGLE:	
CHECKED:	***	****	30°	±0.30	±2°
APPOVALS:	***	****	10°30'	±0.20	
			5°10'	±0.15	
			≤5	±0.10	
			 ® 东都电子 DONGDU ELECTRONICS		
MODBL:		TACT SWITCHES			
PART NO:		DDU-1124SA			
UNIT :mm	SCALE: 1:1				
REV:	A	PAGE: 1/1			