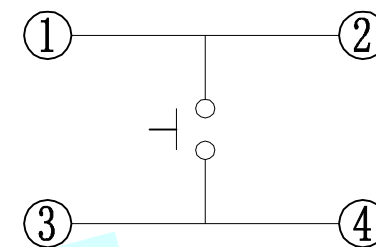
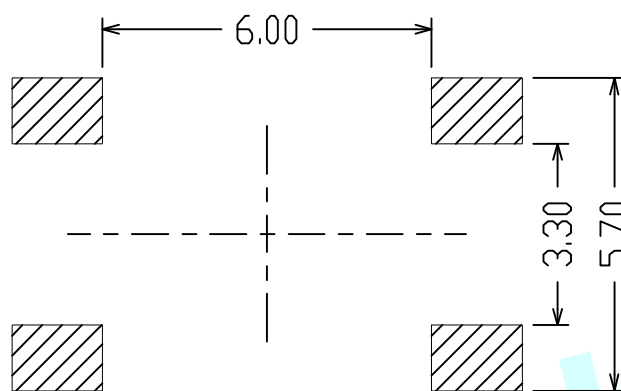
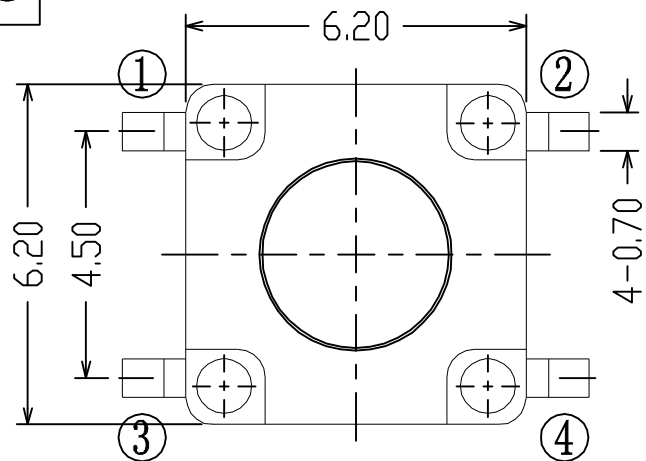
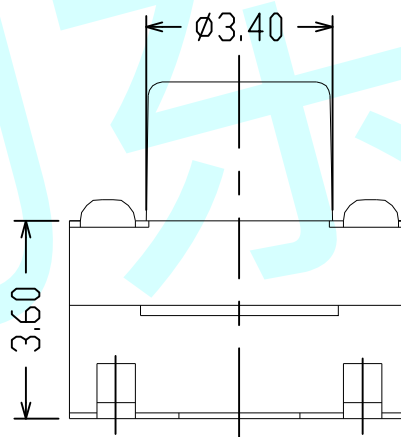
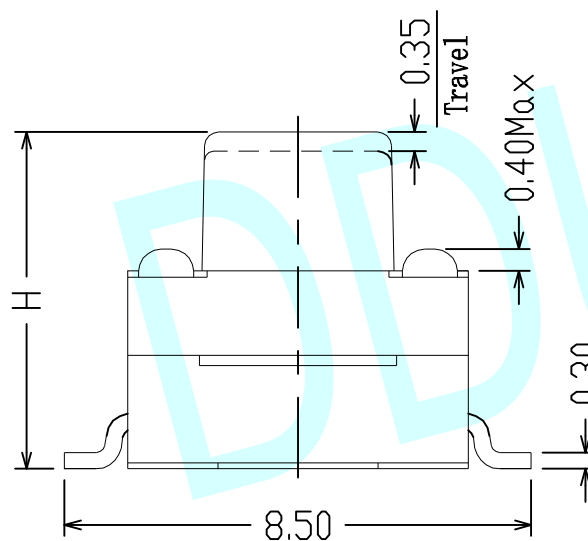


ROHS



Circuit Diagram


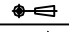
PCB Layout (Pattern Side)



NOTES :

1. Rating :DC 12V 50mA.
2. Contact resistance: $\leq 100m\Omega$
3. Insulation resistance: $\geq 100M\Omega$
4. Travel: $0.35 \pm 0.10mm$
5. Waterproof grade: IP67

H	11.0	11.5	12.0	12.5	13.0	13.5	14.0	15.0	15.5	16.0	16.5	17.0	18.0	19.0
	4.3	4.5	5.0	5.5	6.0	6.5	7.0	7.5	8.0	8.5	9.0	9.5	10.0	10.5

APPROVALS		DATE	http://www.dongdudz.com		 东都电子 DONGDU ELECTRONICS
DRAW:	ZRD	2017-12-6	TOLERANCE:	ANGLE:	
CHECKED:	***	****	30 \geq	± 0.30	±2°
APPOVALS:	***	****	10 \sim 30	± 0.20	
			5 \sim 10	± 0.15	
			≤ 5	± 0.10	
MODEL:	TACT SWITCHES		UNIT :mm	SCALE: 1:1	
PART NO:	DDU-112BS		REV:	A	PAGE: 1/1