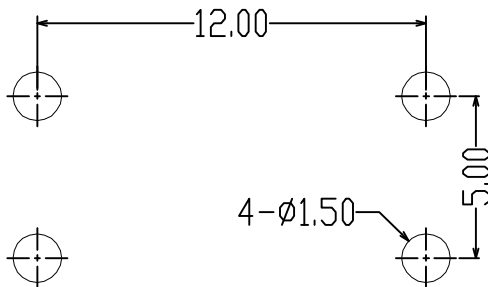
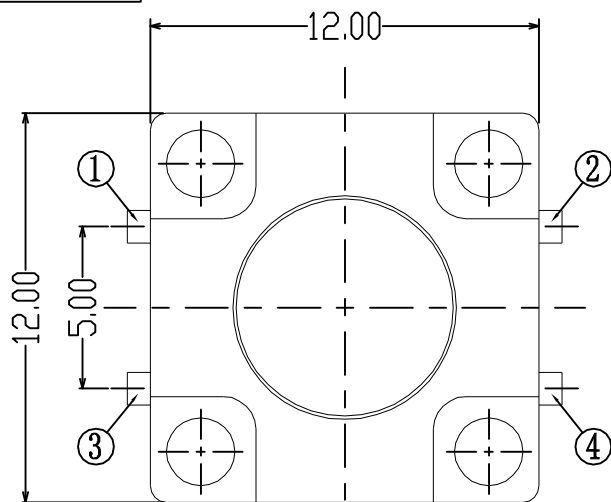
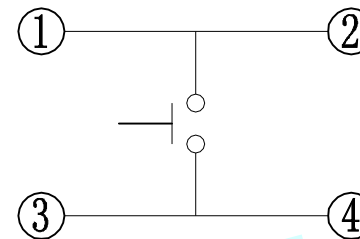


ROHS



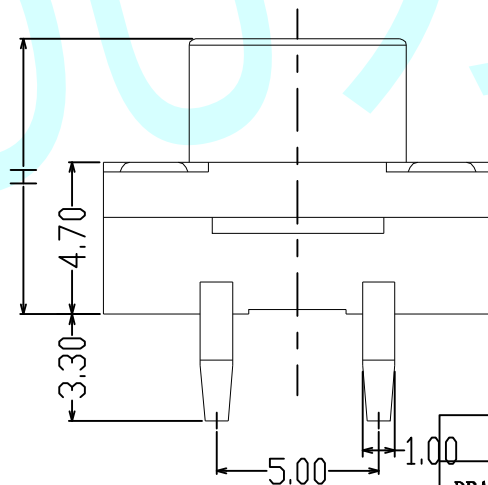
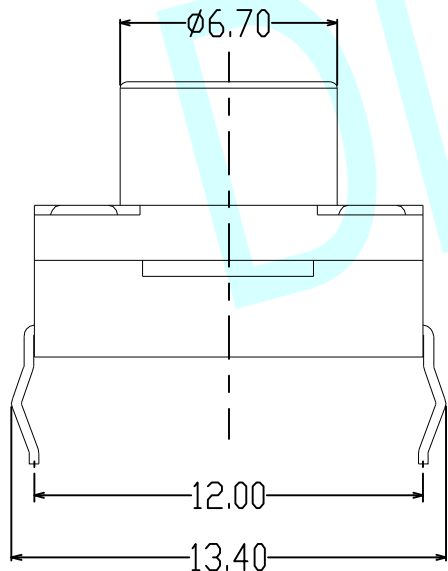
PCB Layout (Pattern Side)



Circuit Diagram


NOTES :

1. Rating :DC 12V 50mA.
2. Contact resistance:100mΩ max
3. Insulation resistance: 100MΩ min
4. Travel: 0.35±0.10mm
5. Waterproof grade:IP67
6. Life :100,000 cycles



H	11.0	11.5	12.0	12.5	13.0	13.5	14.0	15.0	15.5	16.0	16.5	17.0	18.0	19.0
	4.3	4.5	5.0	5.5	6.0	6.5	7.0	7.5	8.0	8.5	9.0	9.5	10.0	10.5

APPROVALS		DATE	http://www.dongdudz.com	
DRAW:	ZRD	2017-12-6	TOLERANCE:	ANGLE:
CHECKED:	***	****	30° ≥ ±0.30	±2°
APPOVALS:	***	****	10°~30 ±0.20	
			5°~10 ±0.15	
			≤5 ±0.10	


东都电子
 DONGDU ELECTRONICS
 MODEL: TACT SWITCHES
 PART NO: DDU-1143D
 UNIT :mm SCALE:1:1
 REV: A PAGE:1/1