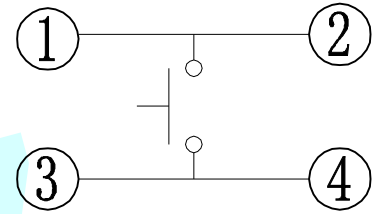
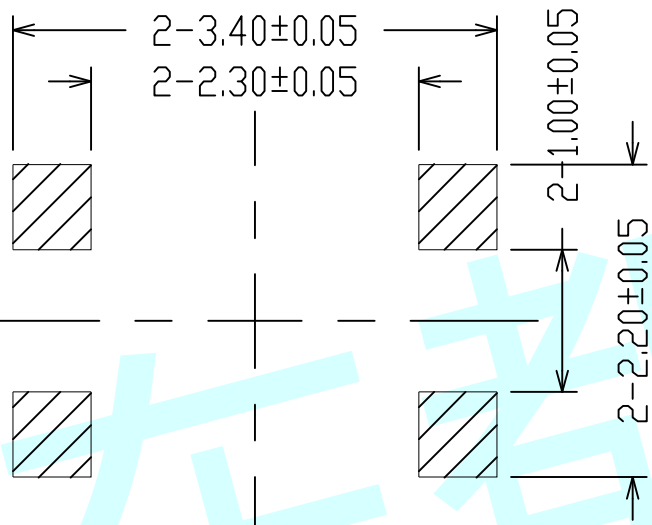
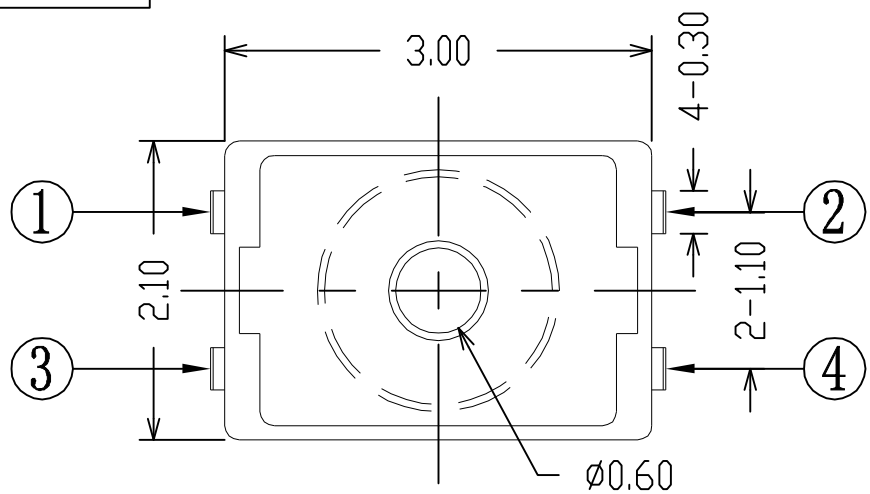
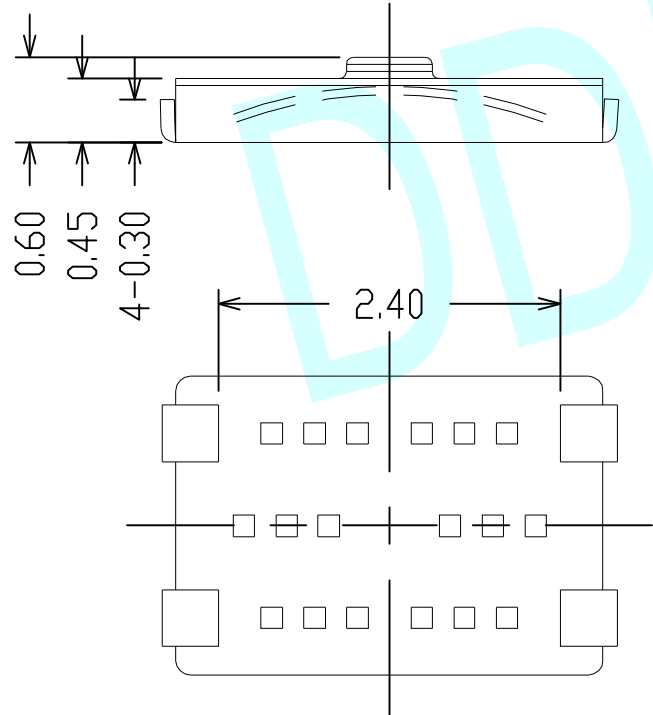


ROHS



Circuit Diagram




PCB Layout (Pattern Side)

- NOTES :
1. Rating :DC 12V 50mA.
  2. Contact resistance:  $\leq 100m\Omega$
  3. Insulation resistance:  $\geq 100M\Omega$
  4. Travel:  $0.15 \pm 0.05mm$

APPROVALS		DATE	http://www.dongdudz.com	
DRAW:	ZRD	2017-12-6	TOLERANCE:	ANGLE:
CHECKED:	***	****	30° $\geq$	$\pm 2^\circ$
APPOVALS:	***	****	10°30	
			5°10	
			$\leq 5$	$\pm 0.10$

 <b>® 东都电子</b> DONGDU ELECTRONICS	
MODEL:	TACT SWITCHES
PART NO:	DDU-1130
UNIT :mm	SCALE:1:1
REV:	A
	PAGE:1/1