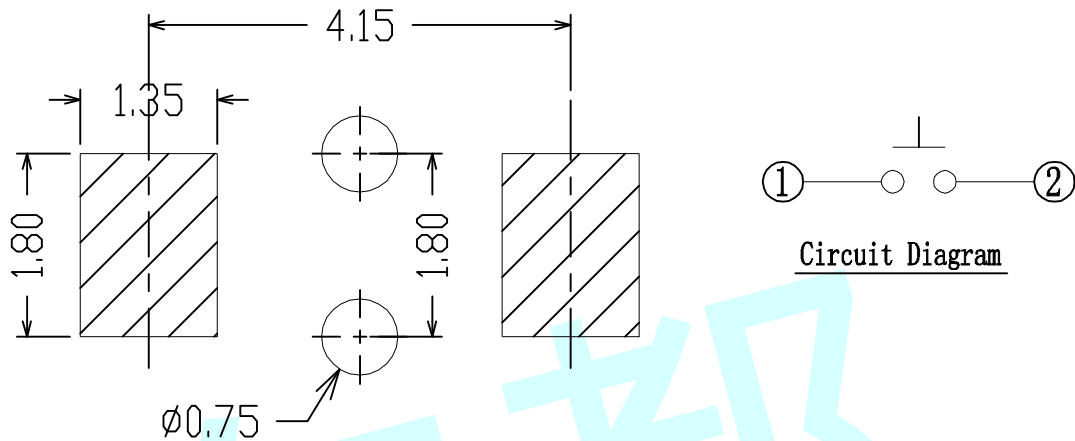
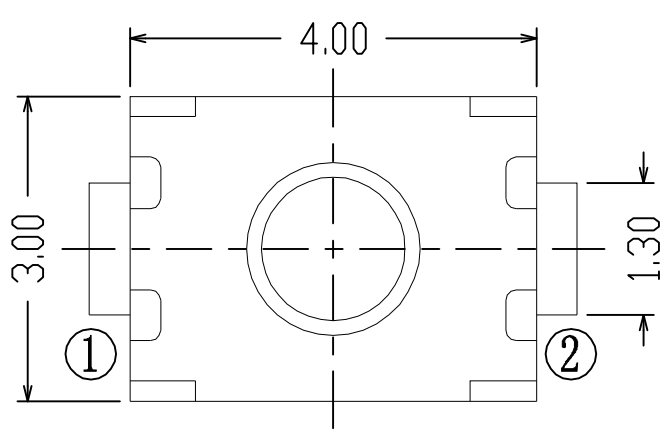
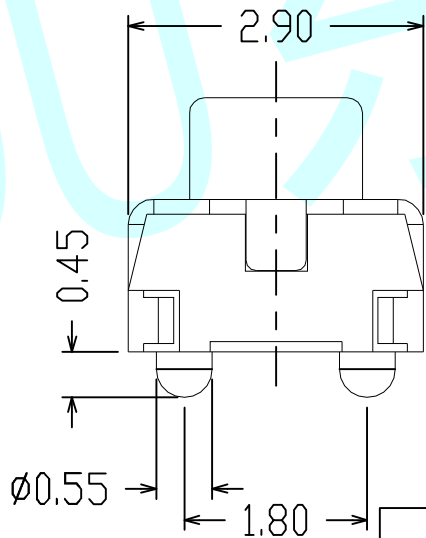
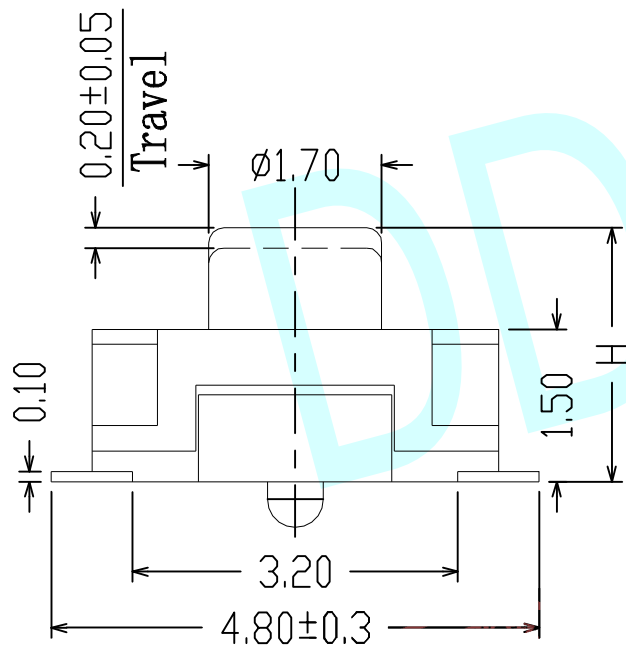


ROHS




PCB Layout (Pattern Side)



NOTES :

1. Rating :DC 12V 50mA.
2. Contact resistance: $\leq 100m\Omega$
3. Insulation resistance: $\geq 100M\Omega$
4. Travel: $0.20 \pm 0.05mm$
5. Life :100,000 Cycles

H	1.8	2.0	2.5	3.0
Stergth	90±30	180±30	250±50	

APPROVALS		DATE	http://www.dongdudz.com		 ® 东都电子 DONGDU ELECTRONICS
DRAW:	ZRD	2017-12-6	TOLERANCE:	ANGLE:	
CHECKED:	***	****	30° ≥ ±0.30	±2°	
APPOVALS:	***	****	10°30 ±0.20		
			5°10 ±0.15		
			≤5 ±0.10		
MODEL:	TACT SWITCHES				
PART NO:	DDU-1156SA				
UNIT :mm	SCALE:1:1				
REV:	A			PAGE:1/1	