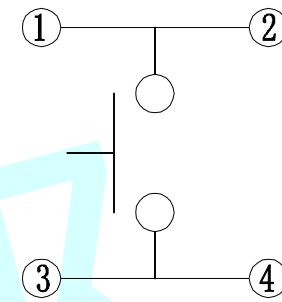
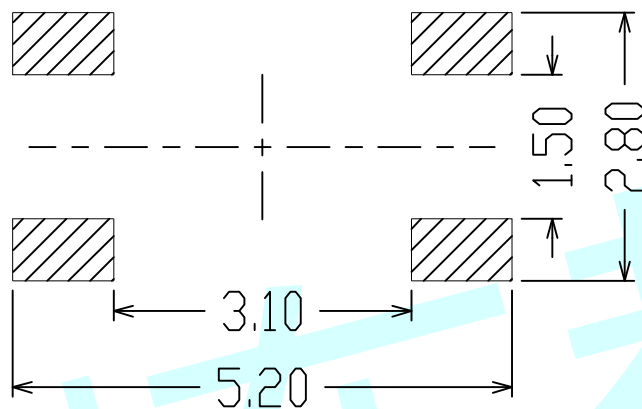
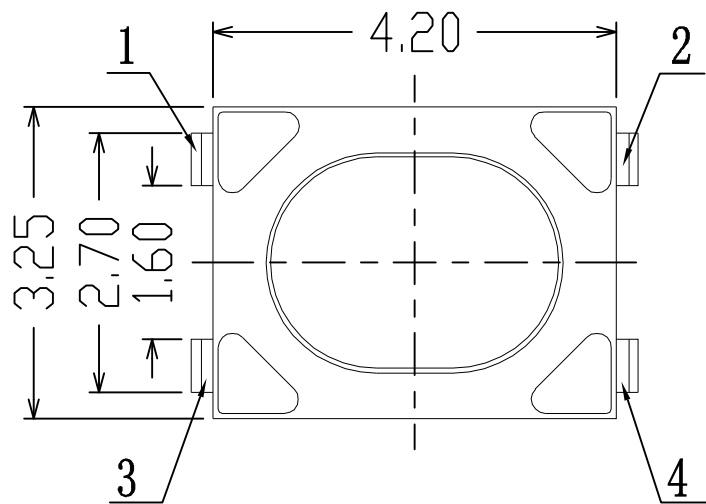


**ROHS**

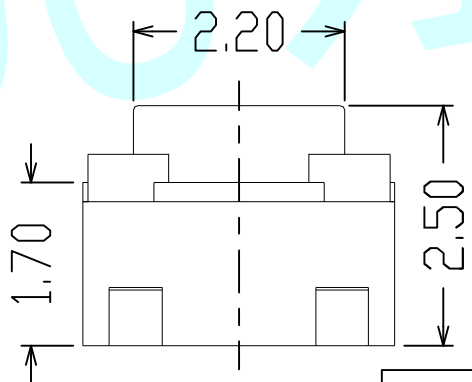
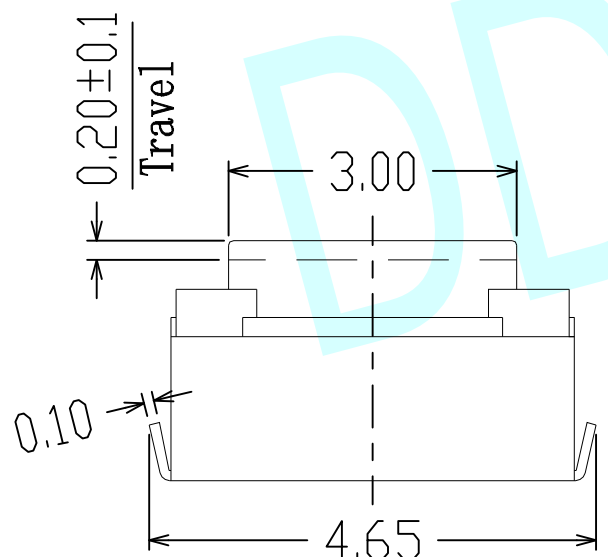


Circuit Diagram


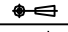
PCB Layout (Pattern Side)

**NOTES :**

- 1. Rating :DC 12V 50mA.
- 2. Contact resistance:  $\leq 100m\Omega$
- 3. Insulation resistance:  $\geq 100M\Omega$
- 4. Travel:  $0.20 \pm 0.10mm$
- 5. Life :100,000 Cycles



Stergth	90±30	180±30	250±50
---------	-------	--------	--------

APPROVALS		DATE	http://www.dongdudz.com	
DRAW:	ZRD	2017-12-6	TOLERANCE:	ANGLE:
CHECKED:	***	****	30° ≥ ±0.30	±2°
APPOVALS:	***	****	10°~30 ±0.20	
			5°~10 ±0.15	
			≤5 ±0.10	
				 <b>® 东都电子</b> DONGDU ELECTRONICS
				MODEL: TACT SWITCHES PART NO: DDU-1163N UNIT :mm SCALE: 1:1  REV: A PAGE: 1/1