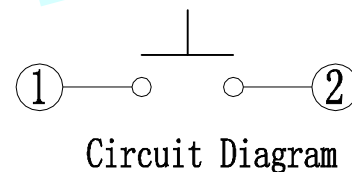
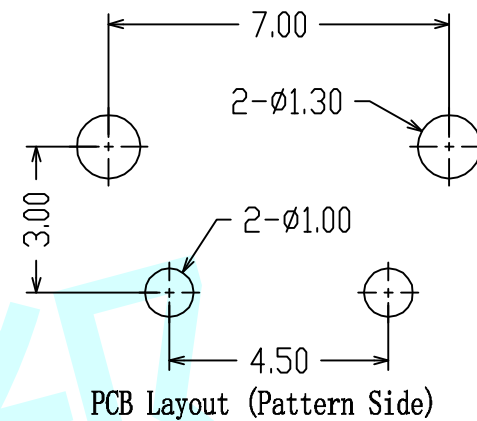
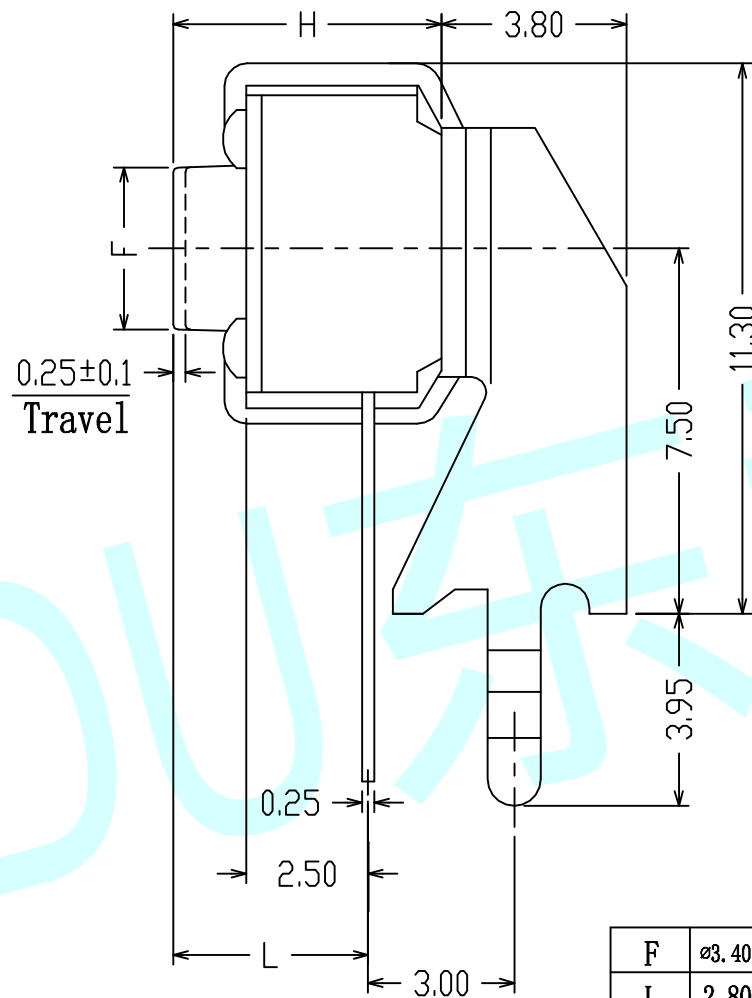
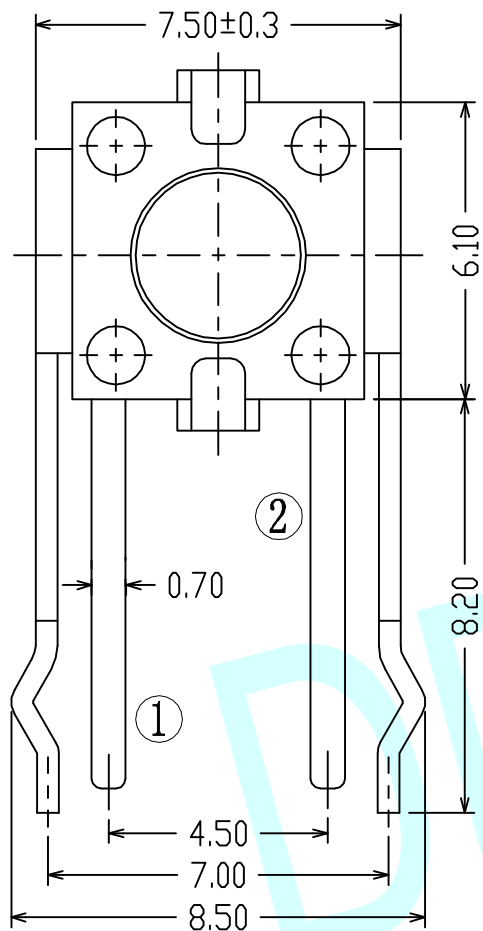


ROHS



NOTES:

1. Ambient temperature: $-20^{\circ}\text{C} \sim +65^{\circ}\text{C}$
2. Rated voltage: 50mA 12V DC
3. Contact resistance: $\leq 100\text{m}\Omega$
4. Insulation resistance: $\geq 100\text{M}\Omega$
5. Withstand voltage: 250V AC 1min

F	∅3.40	∅3.40	∅3.40	∅3.40	∅3.20	∅3.20	∅3.20	∅3.20		
L	2.80	3.50	4.00	4.50	5.50	6.50	7.50	8.00		
H	4.30	5.00	5.50	6.00	7.00	8.00	9.00	9.50	...	12.50
Stergth	90±30		130±30		180±30		250±30		350±50	

APPROVALS		DATE	http://www.dongdudz.com		
DRAW:	ZRD	2017-12-6	TOLERANCE:		ANGLE:
CHECKED:	***	****	30 \geq	± 0.30	$\pm 2^{\circ}$
APPOVALS:	***	****	10 \sim 30	± 0.20	
			5 \sim 10	± 0.15	
			≤ 5	± 0.10	
				东都电子 DONGDU ELECTRONICS	
MODEL:		TACT SWITCHES			
PART NO:		DDU-2023			
UNIT :mm	SCALE:1:1				
REV:	A			PAGE:1/1	