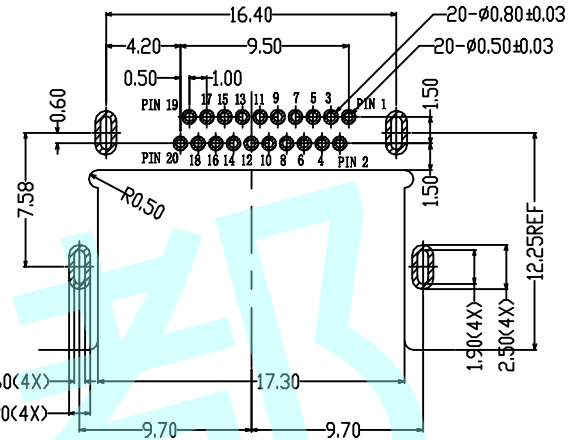
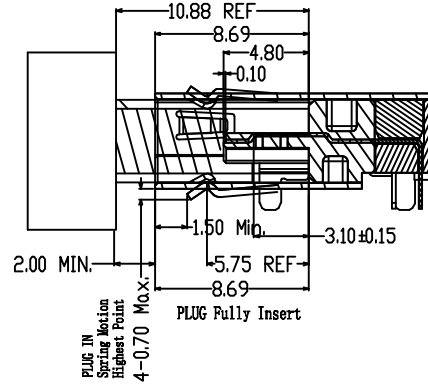
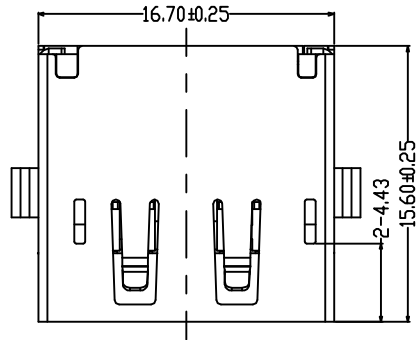
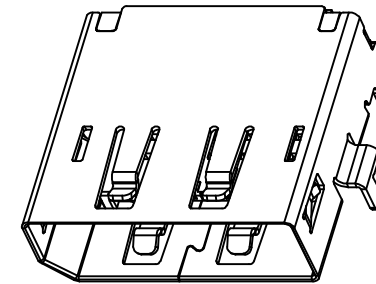
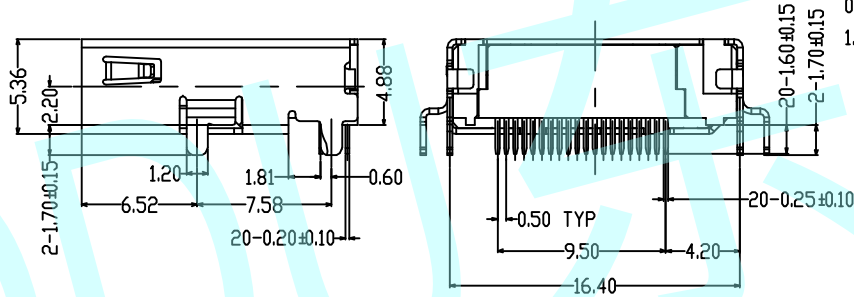
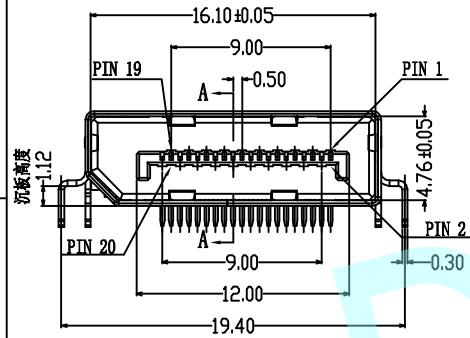


ROHS





RECOMMENDED PCB LAYOUT (TOP VIEW)
(THICKNESS=1.20±0.05mm)
(TOLERANCE=±0.05mm)



4	COVER	LCP	UL 94V-0	BLACK
3	SHELL	Steel	Ni PLATED	—
2	TERMINAL	COPPER ALLOY	Au PLATED	—
1	HOUSING	LCP	UL 94V-0	BLACK
NO.	DESCRIPTION	MATERIAL	REMARK	COLOR

APPROVALS		DATE	http://www.dongdudz.com	
DRAW:	ZRD	2017-12-6	TOLERANCE:	ANGLE:
CHECKED:	***	***	30° ±0.30	±2°
APPOVALS:	***	***	10°30 ±0.20	
			5°10 ±0.15	
			≤5 ±0.10	


东都电子
 DONGDU ELECTRONICS

MODEL:	USB CONNECTOR	
PART NO:	DP-D-01	
UNIT : mm	SCALE: 1:1	
REV:	A	PAGE: 1/1