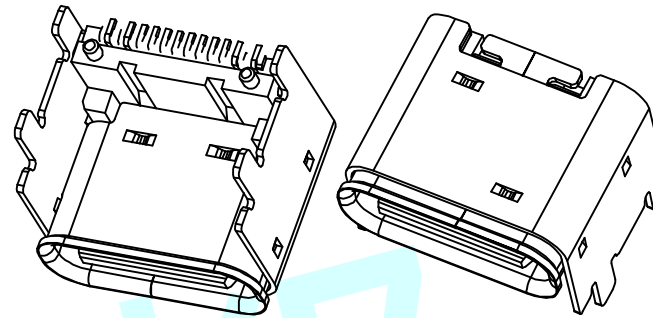
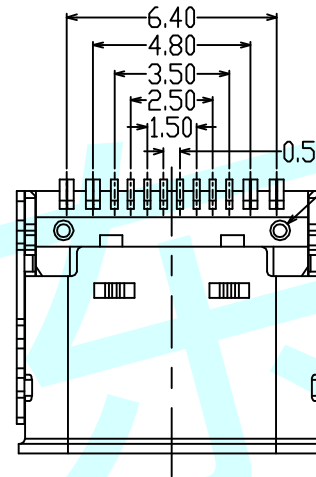
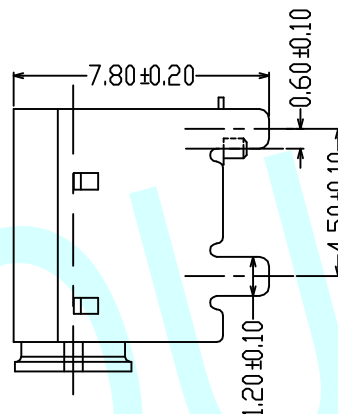
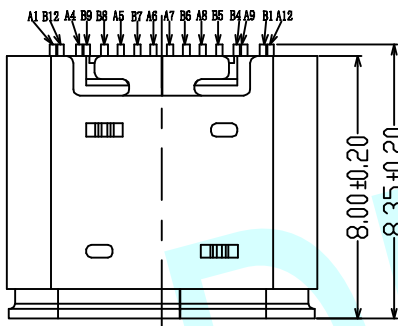
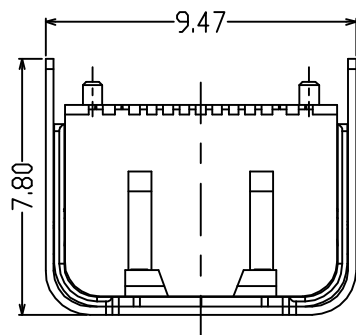
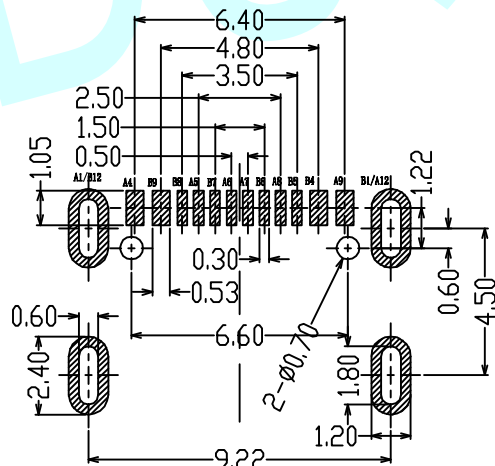
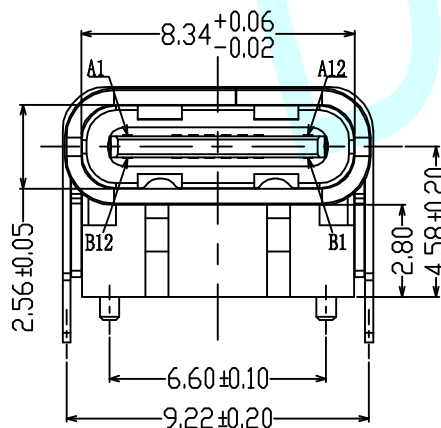


ROHS



NOTES:


1. MECHANICAL: MATING FORCE: 5-20N .
UNMATING FORCE: 8-20N .
DURABILITY: 10000 CYCLES MIN.
2. ELECTRICAL:
CURRENT: 5.0A MAX
VOLTAGE: 20V MAX
WITHSTANDING VOLTAGE: 100V AC
CONTACT RESISTANCE: 40 mΩ MAX INITIAL;
50 mΩ MAX AFTER 10000 CYCLES
3. ENVIRONMENTAL:
OPERATING TEMPERATURE RANGE -30°C ~ +80°C
4. Salt Spray: 24H



PCB LAYOUT

A1	A2	A3	A4	A5	A6	A7	A8	A9	A10	A11	A12
GND			VBUS	CC1	D+	D-	SBU1	VBUS			GND
GND			VBUS	SBU2	D-	D+	CC2	VBUS			GND
B12	B11	B10	B9	B8	B7	B6	B5	B4	B3	B2	B1

APPROVALS		DATE	http://www.dongdudz.com	
DRAW:	ZRD	2017-12-6	TOLERANCE:	ANGLE:
CHECKED:	***	***	30° ≥ ±0.30	±2°
APPOVALS:	***	***	10°~30 ±0.20	
			5°~10 ±0.15	
			≤5 ±0.10	

 **东都电子**
DONGDU ELECTRONICS

MODEL: USB CONNECTOR
PART NO: TYPE: C-3.1-16M-JC4
UNIT :mm SCALE: 1:1
REV: A PAGE: 1/1