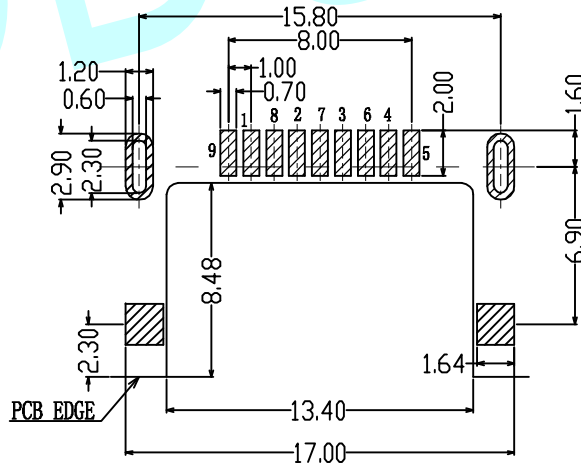
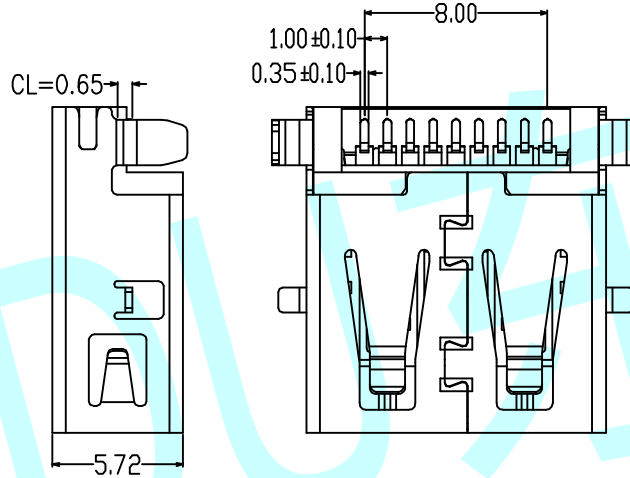
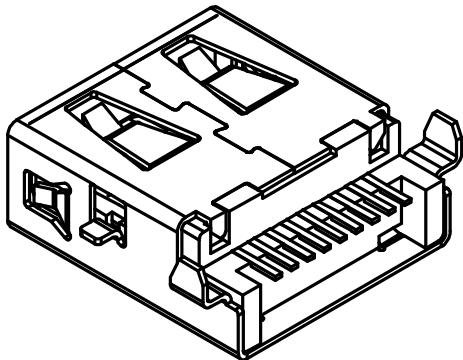
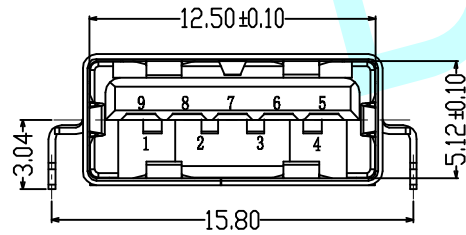
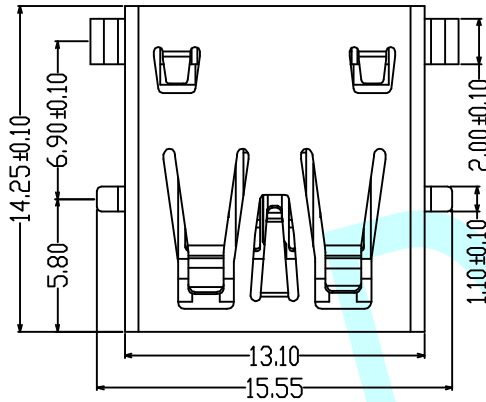
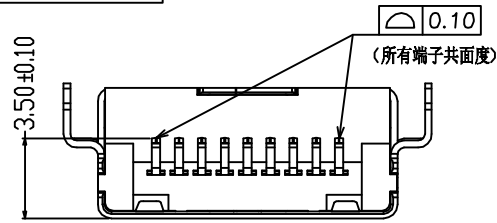


# ROHS



RECOMMENDED PCB LAYOUT  
Top VIEW (TOLERANCE±0.05)

**NOTE:**

**1. MATERIAL:**

- 1.1 INSULATOR:LCP UL 94V-0 BLUE
- 1.2 CONTACT:C5191 (T=0.20mm)
- 1.3 SHELL:C2680 (T=0.30mm)

**2. ELECTRICAL CHARACTERISTICS:**

- 2.1 CONTACT RESISTANCE:30mΩ MAXIMUM
- 2.2 CONTACT CURRENT RATING:1.5A
- 2.3 DIELECTRIC WITHSTANDING VOLTAGE:500 V R. M. S.
- 2.4 INSULATION RESISTANCE 1000MΩ MIN
- 2.5 OPERATING TEMPERATURE:-40℃~+85℃

**3. MECHANICAL CHARACTERISTICS:**

- 3.1 MATING FORCE:3.57kg MAX
- 3.2 UNMATED FORCE:1.02kg MIN
- 3.3 DURABILITY:MANDATORY:5,000 CYCLES

**4. PLATING**

- 4.1 TERMINAL:  
50u" MIN NICKEL ALL OVER  
100u"MIN Tin ON SOLDER AREA  
(1~30)u"Au ON CONTACT AREA
- 4.2 SHELL:100u"MIN. NICEL ALL OVER

Pin No.	SIGNAL NAME
1	USB电压
2	D-(负极)
3	D+(正极)
4	地线
5	SSRX-
6	SSRX+
7	GND (地线)
8	SSTX-
9	SSTX+
Shell	Shield

序号	名称	材质	数量	备注
04	Molding	LCP	1	蓝色, UL94 V-0
03	外壳	C2680, T=0.30	1	镀镍
01	端子	C5191, T=0.20	1set	功能接触区镀金, 焊脚镀雾锡

APPROVALS		DATE	http://www.dongdudz.com	
DRAW:	ZRD	2017-12-6	TOLERANCE:	ANGLE:
CHECKED:	***	***	30≥	±0.30
APPOVALS:	***	***	10~30	±0.20
			5~10	±0.15
			≤5	±0.10



MODEL:	USB CONNECTOR	
PART NO:	USB 3.0-B3.5-2A	
UNIT :mm	SCALE:1:1	
REV:	A	PAGE:1/1