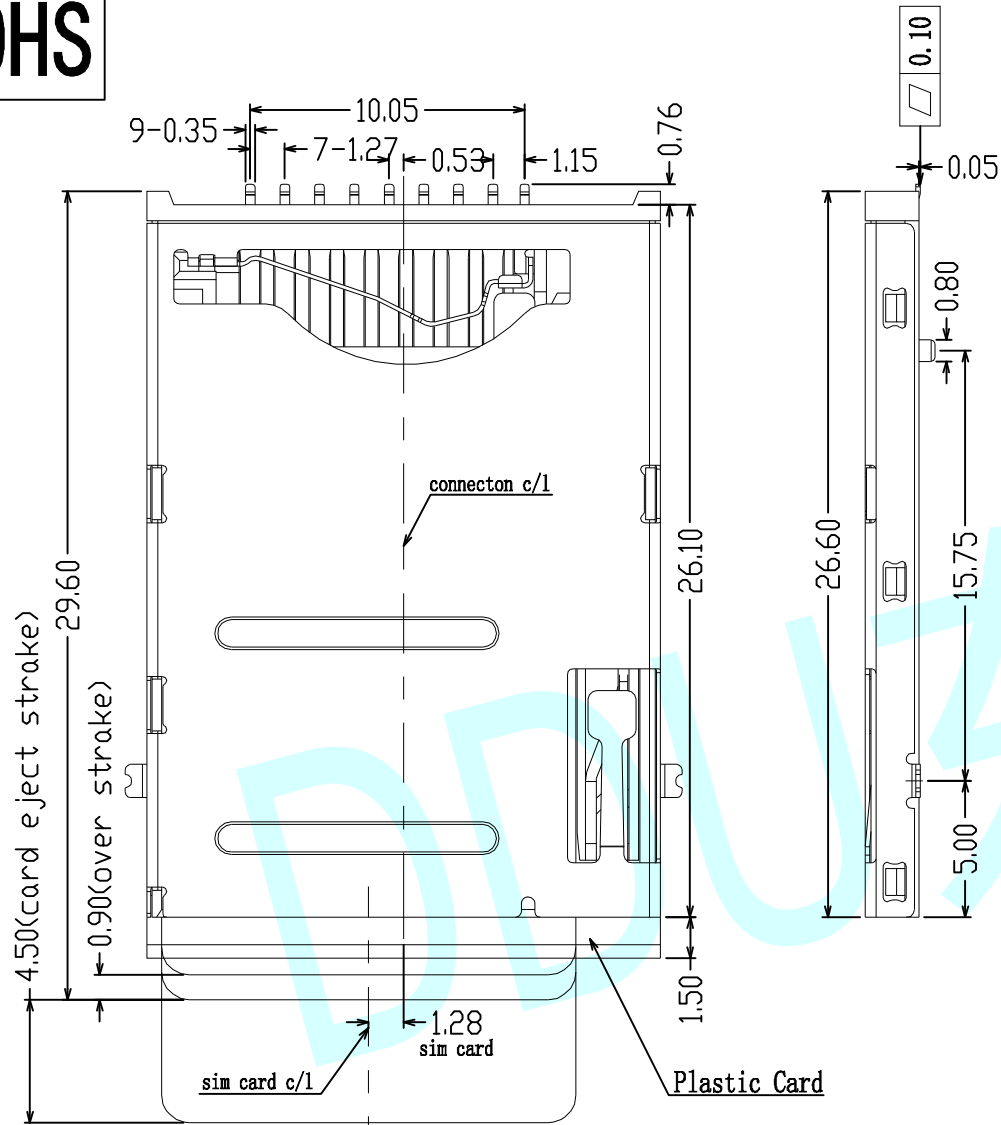


ROHS



Specification:

A. Electrical characteristics:

1. Current rating:0.5A
2. Withstanding voltage:AC 500V R. M. S
3. Insulation resistance:1000MΩ MIN AT DC 500V
4. Contact resistance:100mΩ MAX

B. Mechanical characteristics:

1. Mating cycles:5000 Insertions

C. Environmental:

1. Operating temperature:-40℃~+85℃

D. Material:

1. Housing:HI-Temp plastic UL94V-0 rated
2. Contact:Copper alloy
3. Shell:Copper alloy

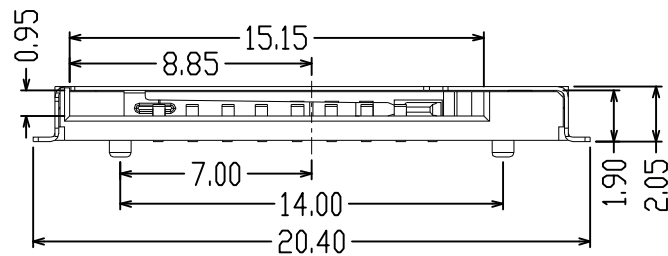
E. Plating:


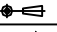
1. Terminal:

Contact area:gold flash
Solder area:80u" MIN matte tin alloy plated

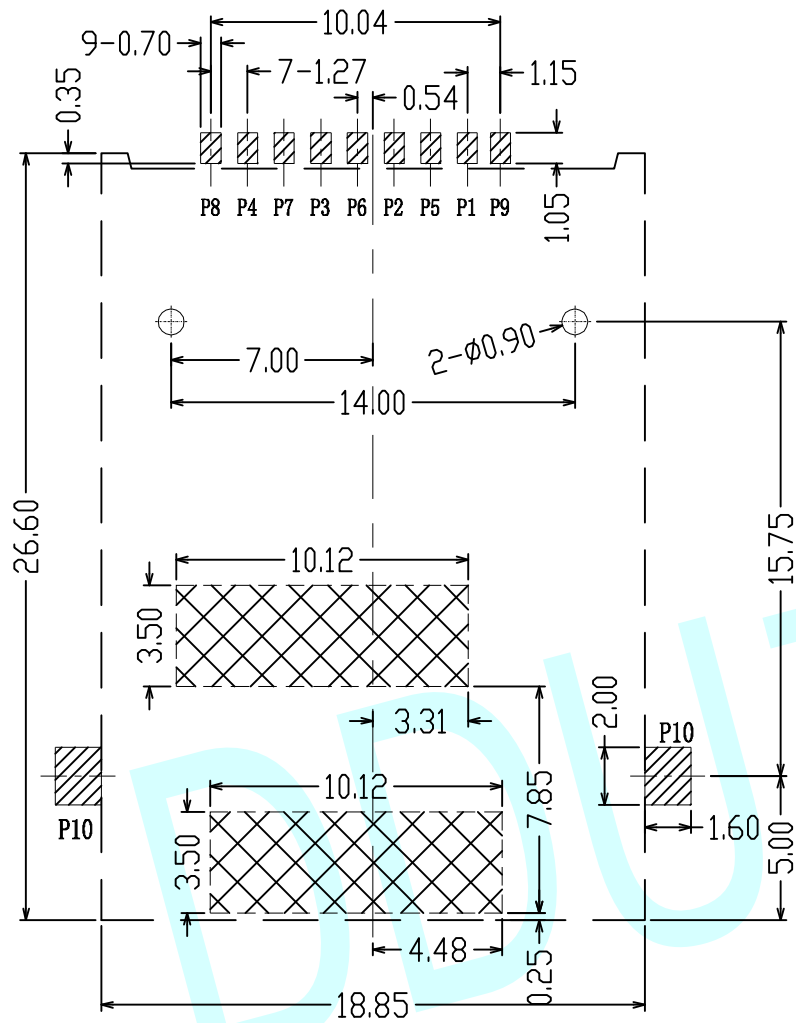
2. Shell:30u" MIN ,NICKEL plated overall

Solder area:gold flash

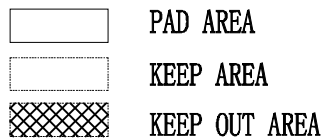


APPROVALS		DATE	http://www.dongdudz.com	
DRAW:	ZRD	2017-12-6	TOLERANCE:	ANGLE:
CHECKED:	***	****	30°	±0.30
APPOVALS:	***	****	10°30'	±0.20
			5°10'	±0.15
			≤5	±0.10
			±2°	
		 ® 东都电子 DONGDU ELECTRONICS		
MODL:		CASSETTE		
PART NO:		SIMB+1-DD		
UNIT :mm		SCALE:1:1		
REV:		A		PAGE:1/3

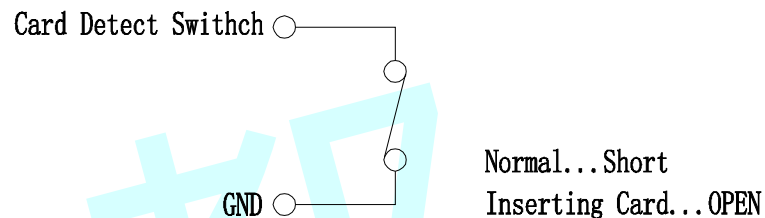
ROHS




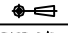
RECOMMENDED PCB LAYOUT
TOLERANCE UNLESS OTHERWISE IS ± 0.05



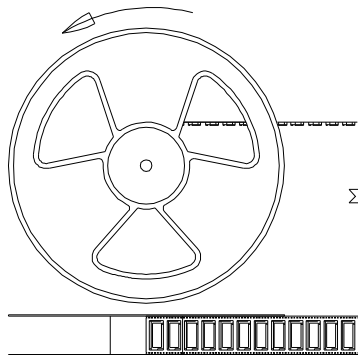
Circuit Diagram for Card Detect Switch



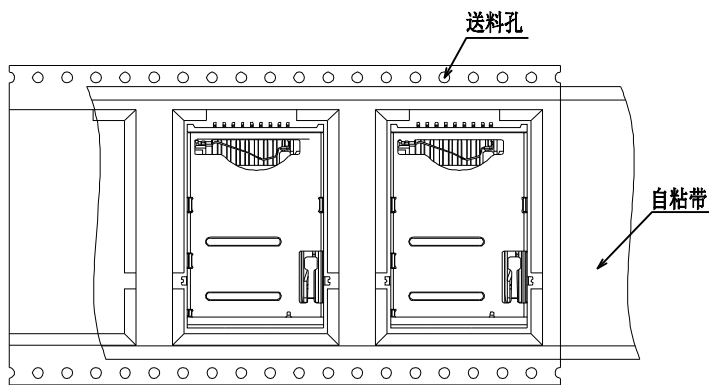
Connector terminal NO.	Pin NO.
Pin 1	Vcc:PWR signal and GND
Pin 2	RST:Reset signal
Pin 3	CLK:Clocking signal
Pin 4	Reserved
Pin 5	GND:PWR signal and GND
Pin 6	VPP:Porgramming Voltage
Pin 7	I/O:Serial date input/output
Pin 8	Reserved
Pin 9	CD:CARD Detect Switch
Pin 10	GND

APPROVALS		DATE	http://www.dongdudz.com		
DRAW:	ZRD	2017-12-6	TOLERANCE:	ANGLE:	
CHECKED:	***	****	30°	±0.30	
APPOVALS:	***	****	10°30'	±0.20	
			5°10'	±0.15	
			≤5	±0.10	
			±2°	 东都电子 DONGDU ELECTRONICS	
MODBL:		CASSETTE			
PART NO:		SIMB+1-DD			
UNIT :mm	SCALE:1:1				
REV:	A	PAGE:2/3			

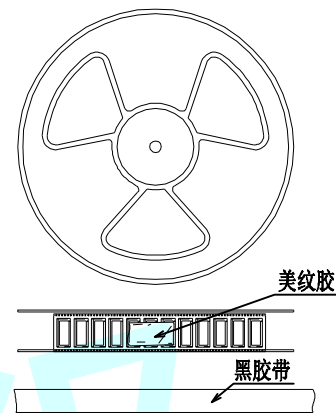
ROHS



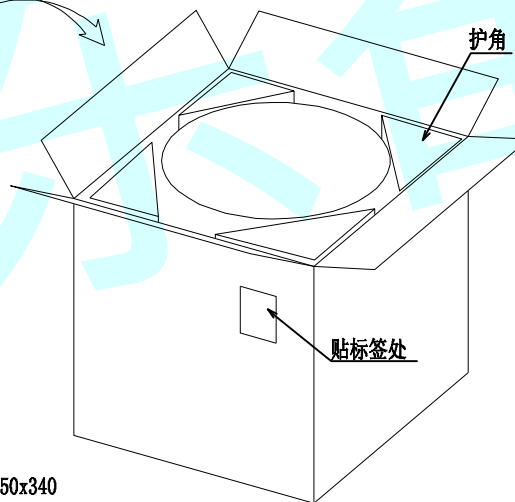
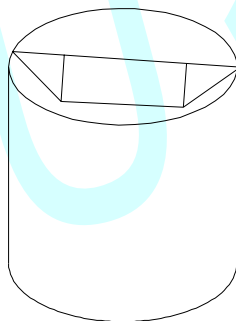
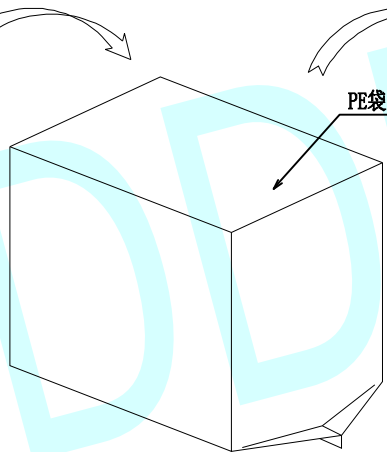
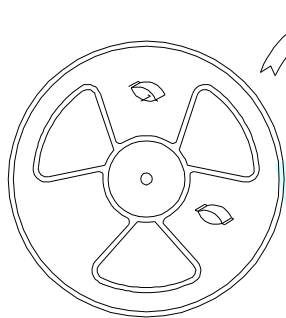
一、收料方向如图，逆时针收料，卷带前后各留10个空位。



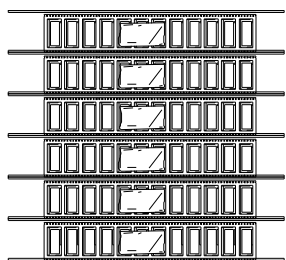
二、产品放置如图，自粘带封装时不可盖住送料孔。



三、每盘包完600PCS后，用美纹胶粘在自粘带上。再用黑胶带把卷好的产品包起来，用美纹胶粘好



六、栈板长宽均未1100mm，每层可放9箱产品，可放6层共54箱成品。（限高2米）



四、拿6卷装好的产品，放入PE袋内。每袋放2PCS干燥剂。

外箱尺寸：长x宽x高=350x350x340

五、将封好的PE袋装入纸箱内。每个转角处放一个护角，用Tape将纸箱封实。标签贴在纸箱侧面右上方。



APPROVALS		DATE	http://www.dongdudz.com	
DRAW:	ZRD	2017-12-6	TOLERANCE:	ANGLE:
CHECKED:	***	****	30° ≥ ±0.30	±2°
APPOVALS:	***	****	10°~30 ±0.20	
			5°~10 ±0.15	
			≤5 ±0.10	
东都电子 DONGDU ELECTRONICS			MODL: CASSETTE PART NO: SIMB+1-DD UNIT :mm SCALE: 1:1 REV: A PAGE: 3/3	